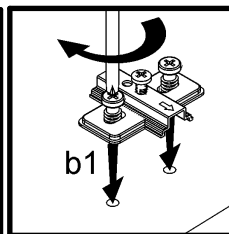
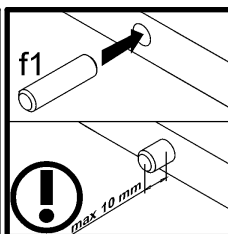
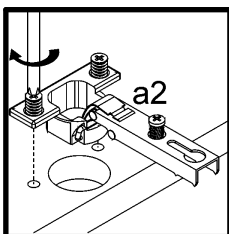
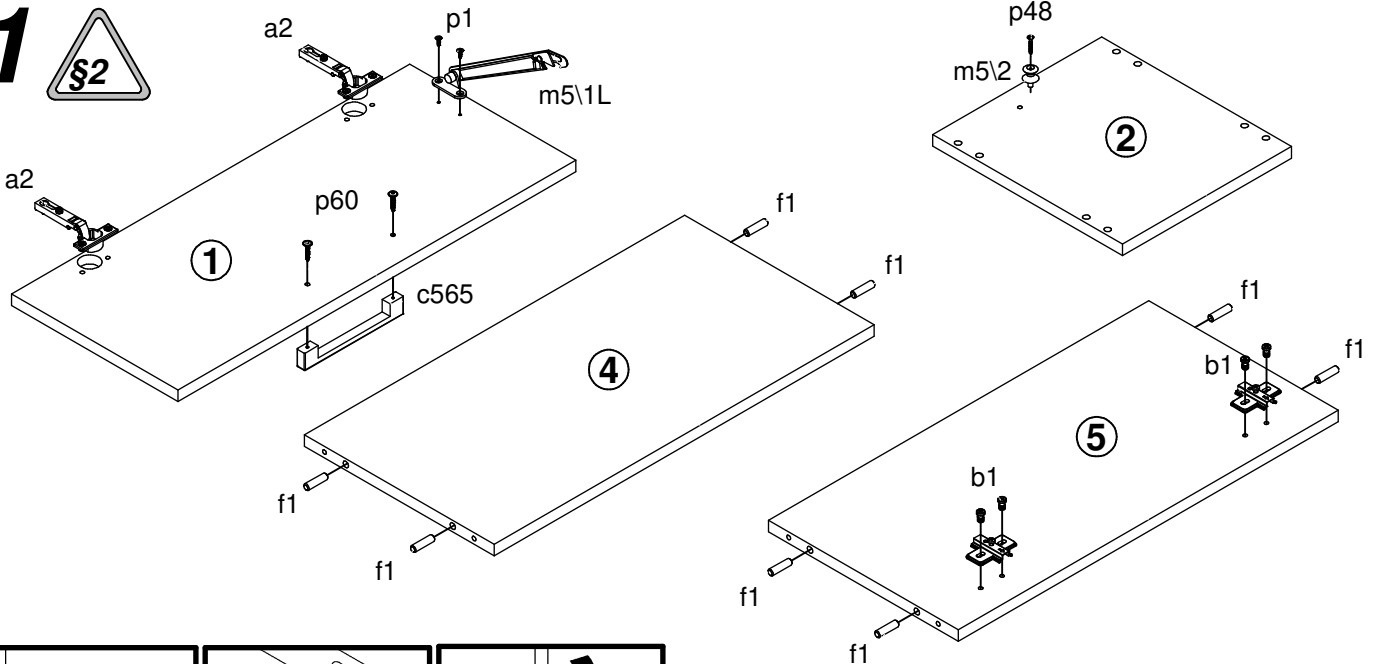
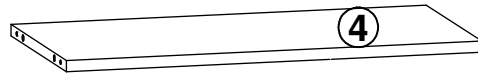
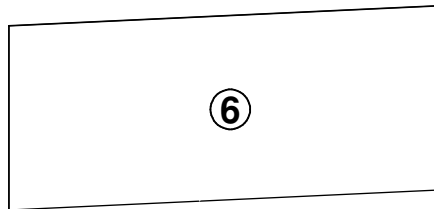
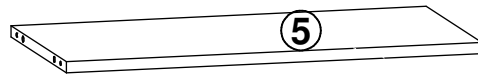
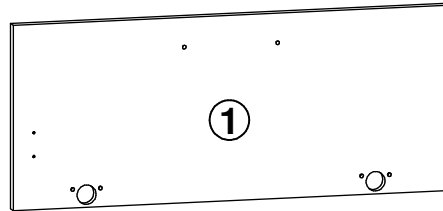
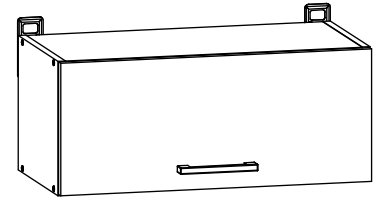
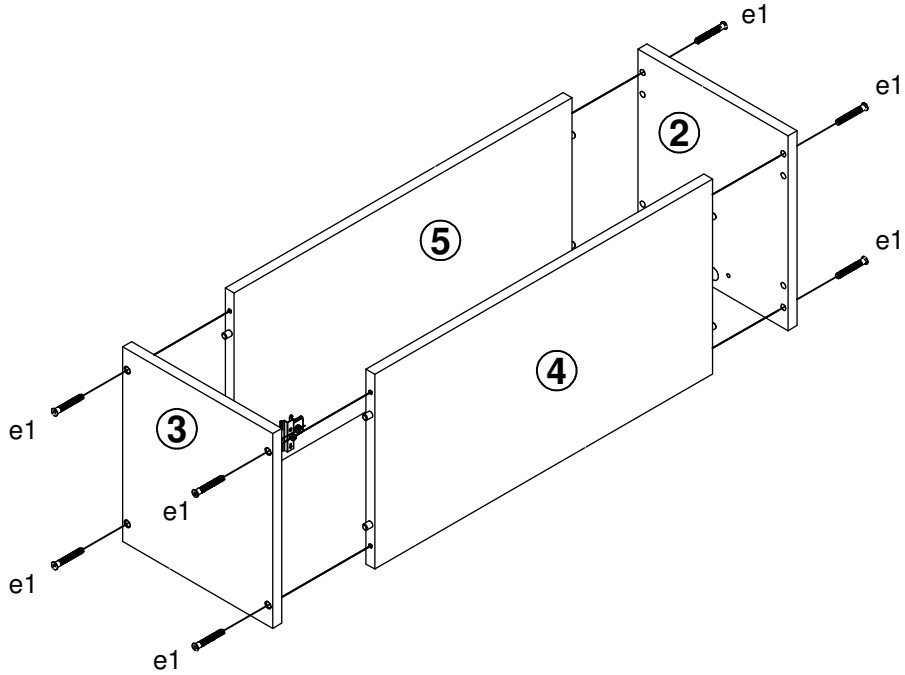


14x a2	14x b1	8x c565	4x d1	40x e1	4x e19	4x e3	52x f1	4x f25
8x k1	85x l1	1x m5\1L	1x m5\2	3x n16\L	3x n16\P	2x p1	24x p16	4x p21
2x p38	1x p48	16x p60	1x w5\CL	1x w5\CR	1x w5\DL	1x w5\DR	1x y1\1	1x z1
4x f9								

A	B	C	D
1	K44-0004	596	249
2	K44-1006	253	284
3	K44-1007	253	284
4	K44-3009	569	284
5	K44-3010	569	284
6	K44-9003	593	247



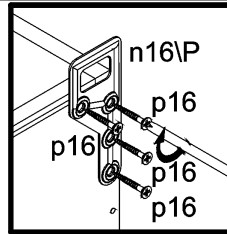
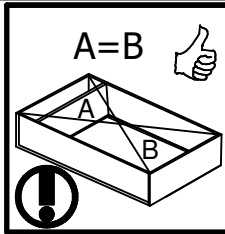
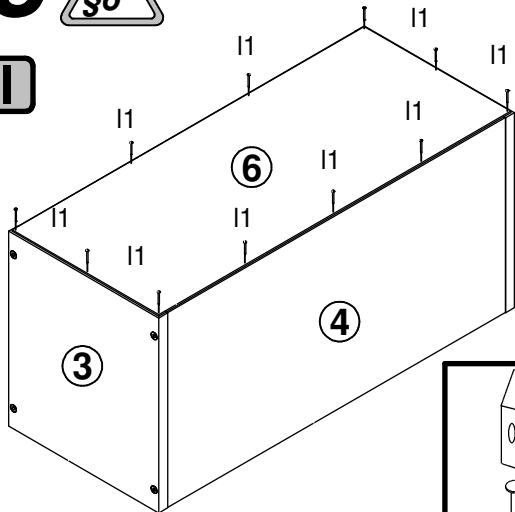
2



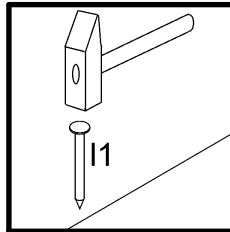
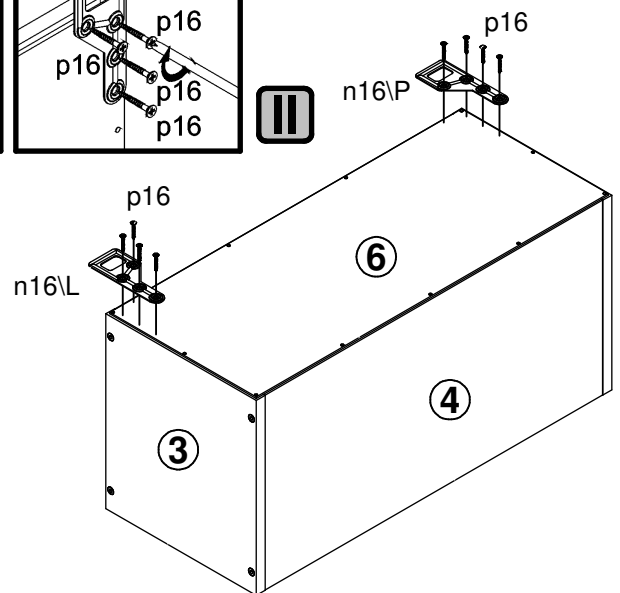
3



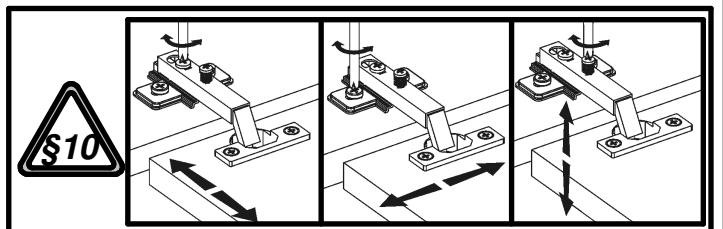
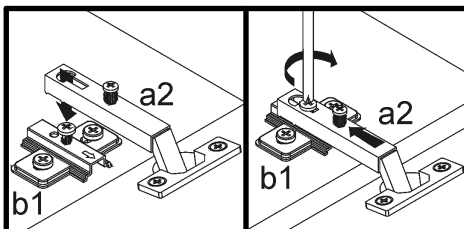
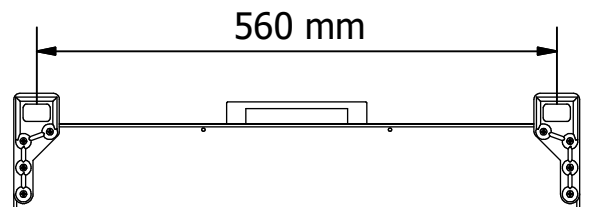
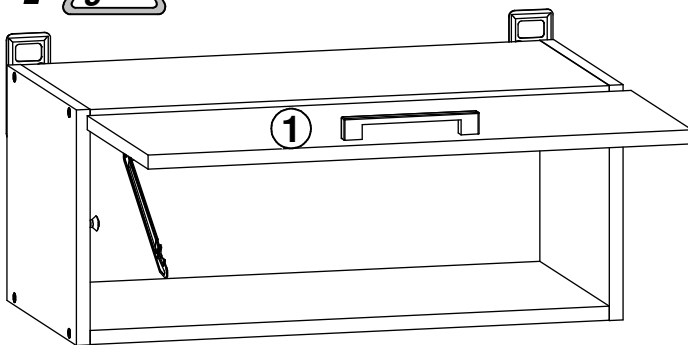
I



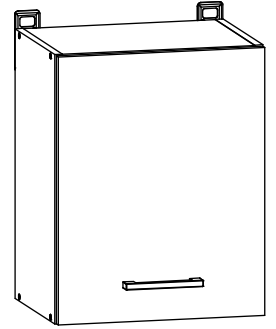
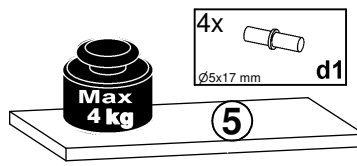
II



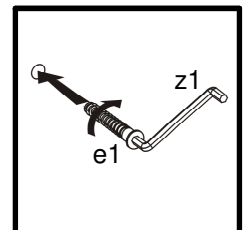
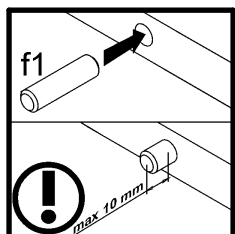
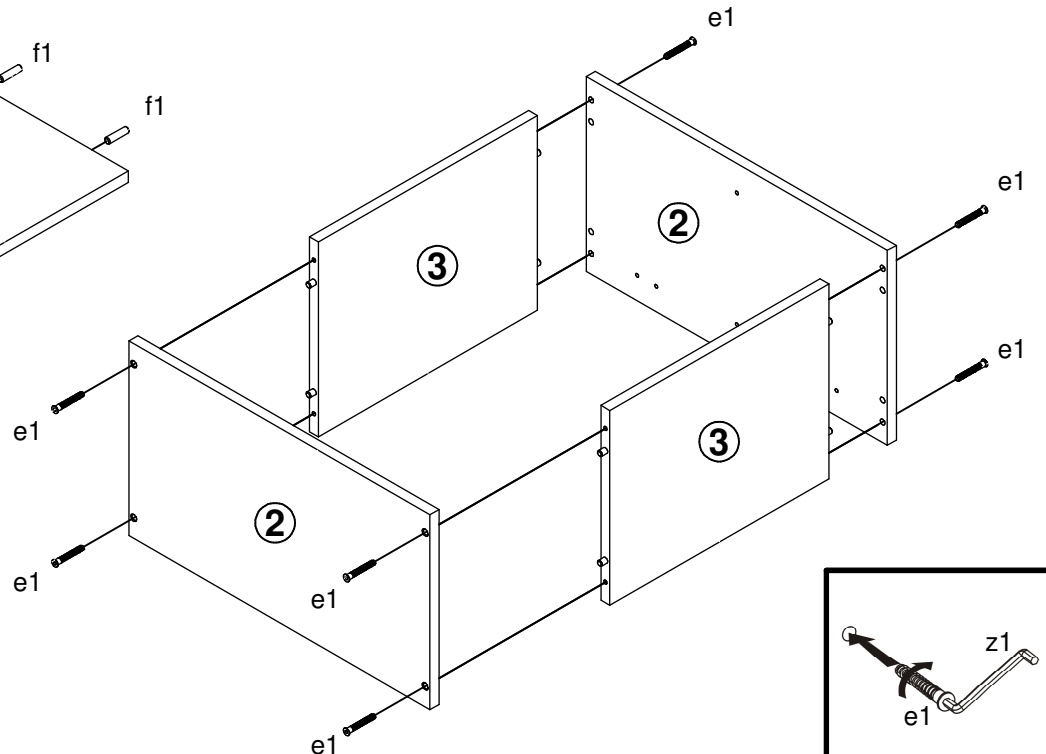
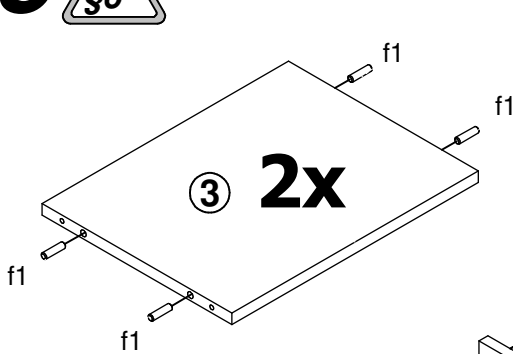
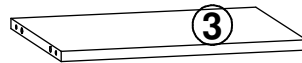
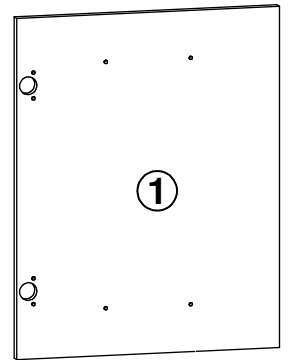
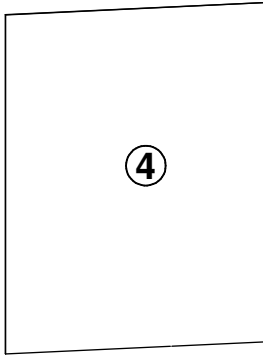
4



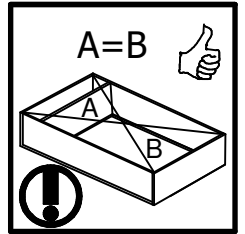
A	B	C	D
1	K44-0002	396	504
2	K44-1001	507	284
3	K44-3003	369	284
4	K44-9006	501	394



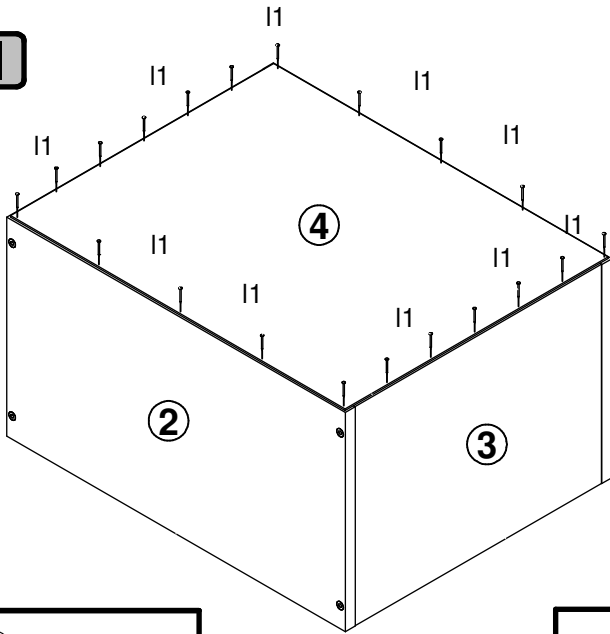
5	K44-3004	368	260	1/1
---	----------	-----	-----	-----



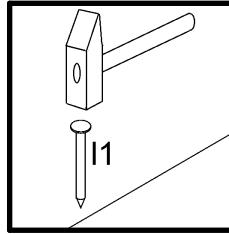
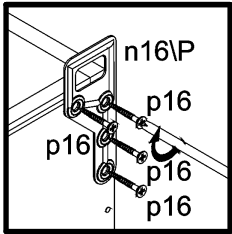
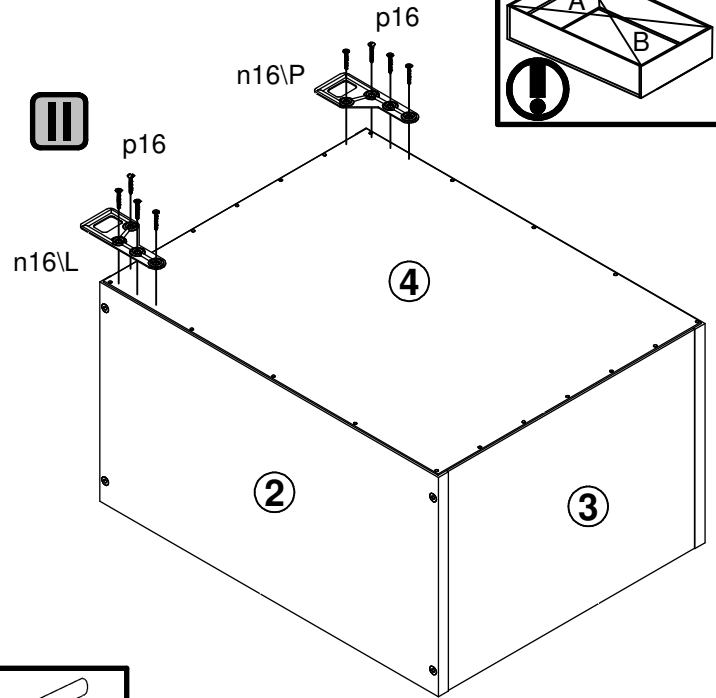
6



I



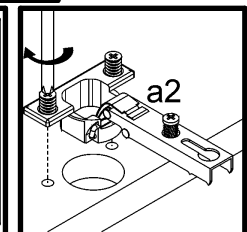
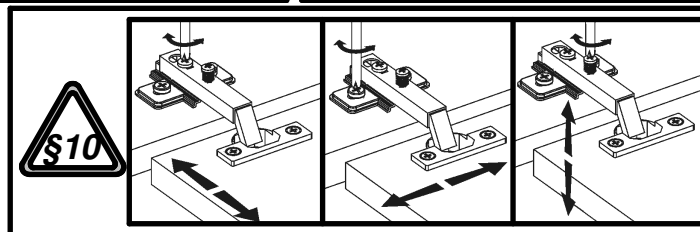
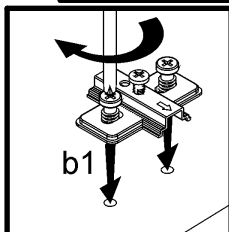
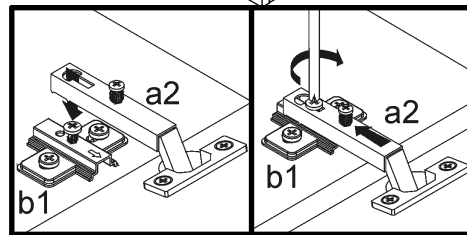
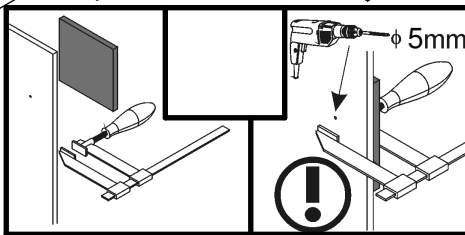
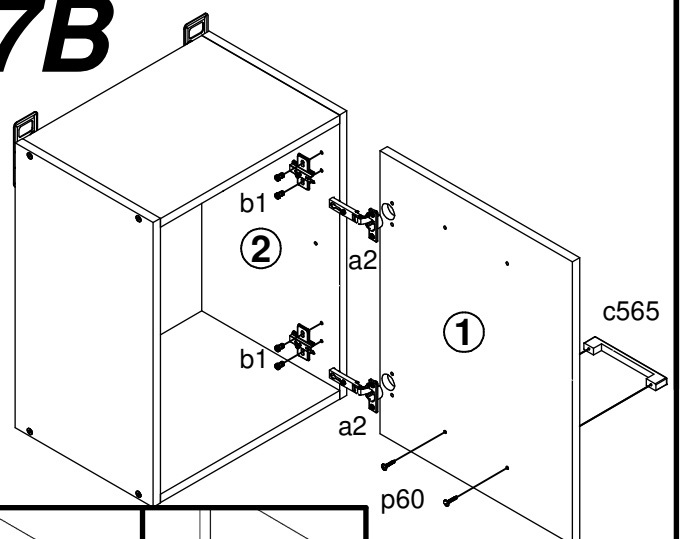
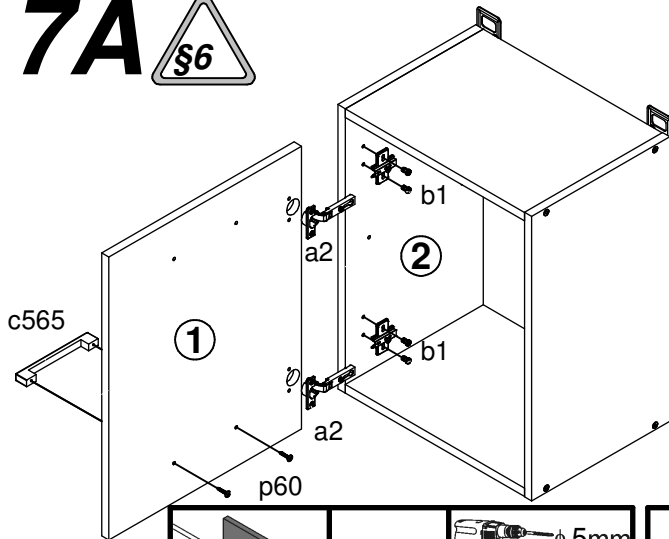
II



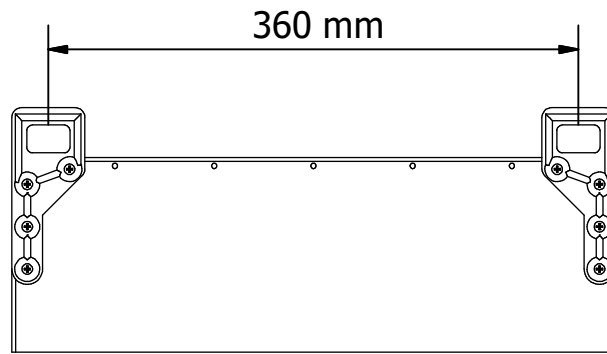
7A



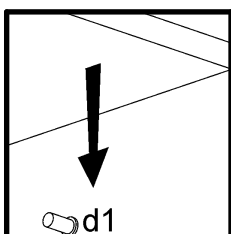
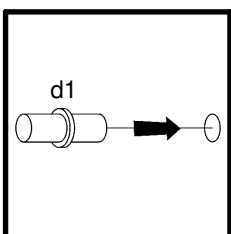
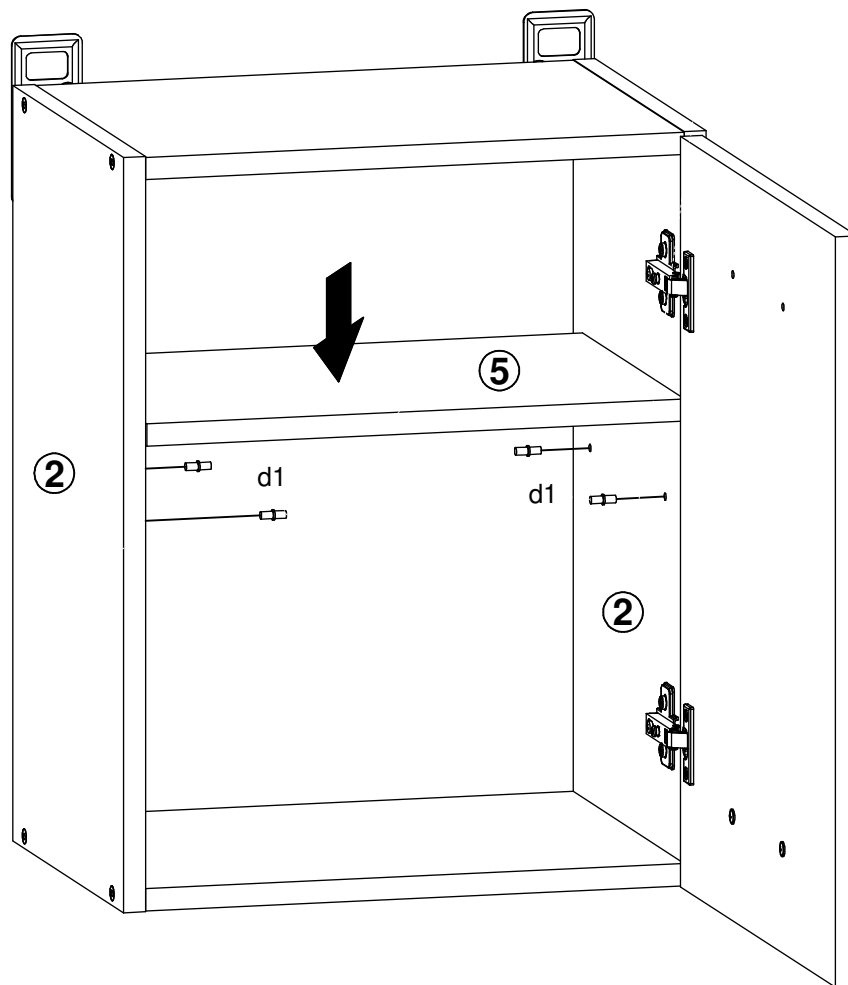
7B



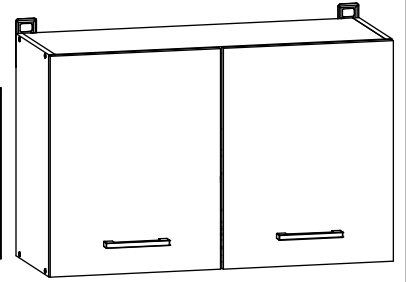
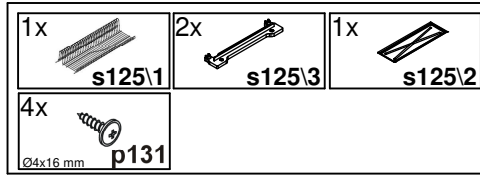
8



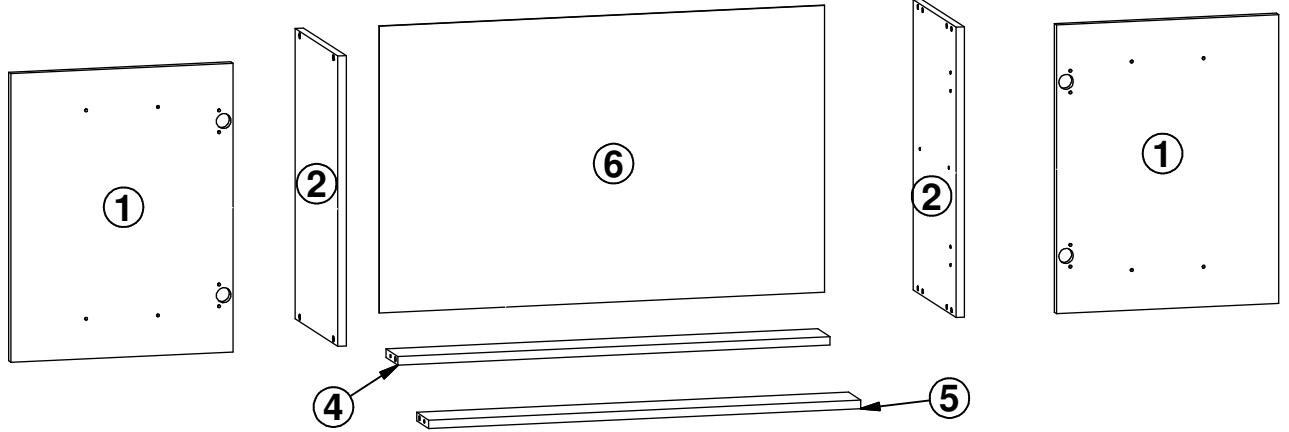
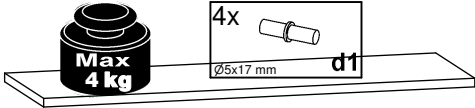
9



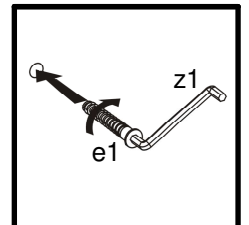
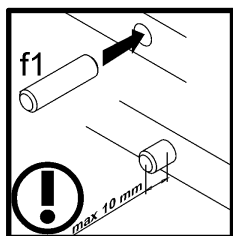
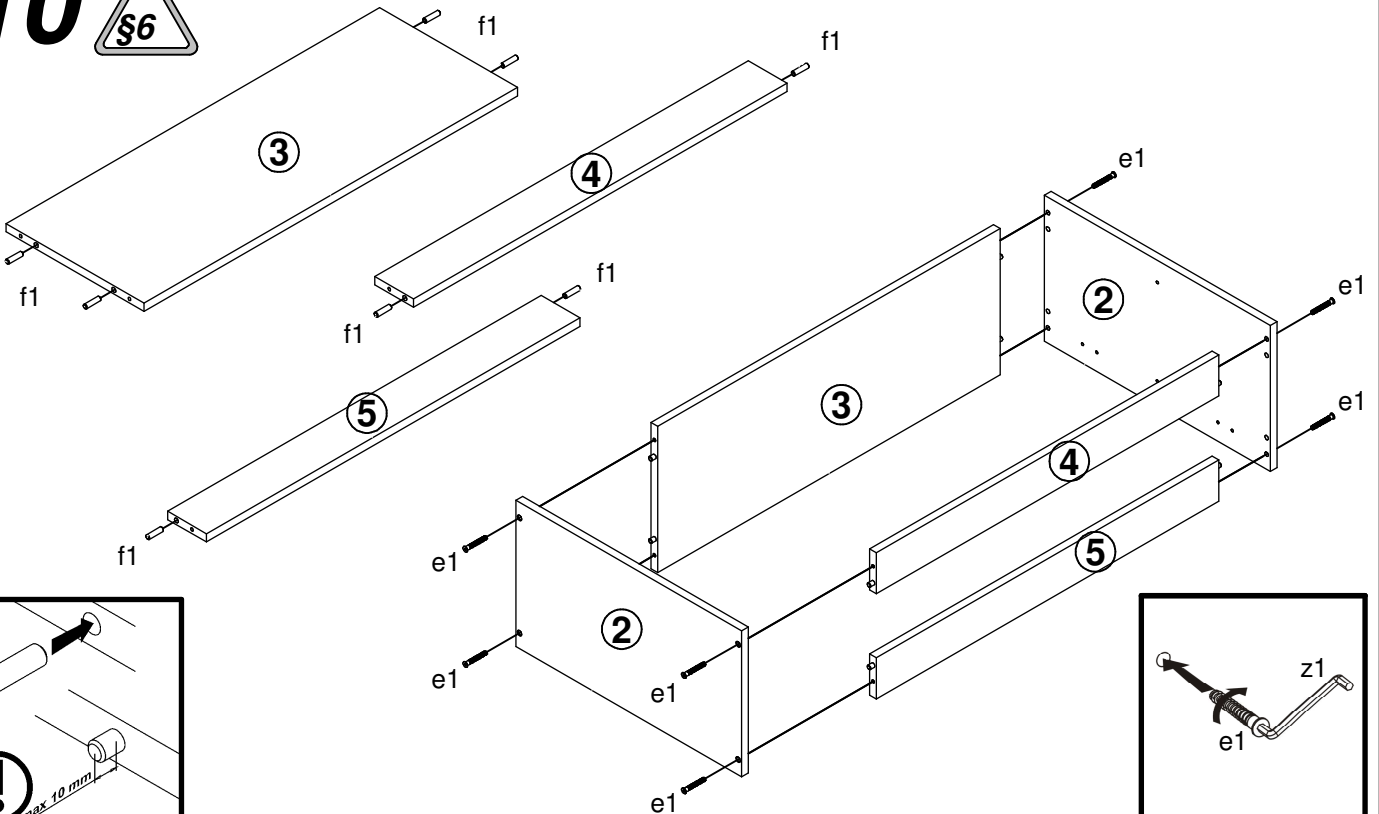
A	B	C	D
1	K44-0002	396	504
2	K44-1001	507	284
3	K44-3007	769	284
4	K44-4009	769	80
5	K44-4010	769	80
6	K44-9002	501	793



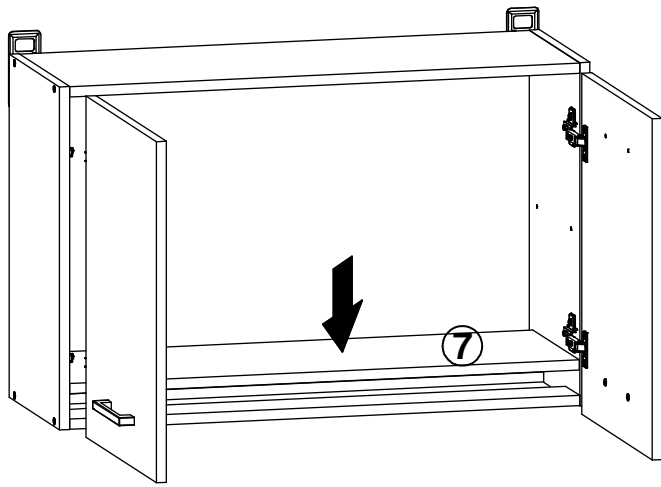
7	K44-3008	768	260	1/1
---	----------	-----	-----	-----



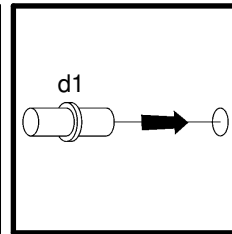
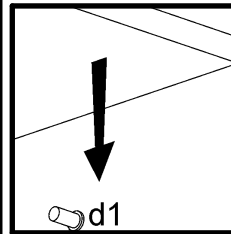
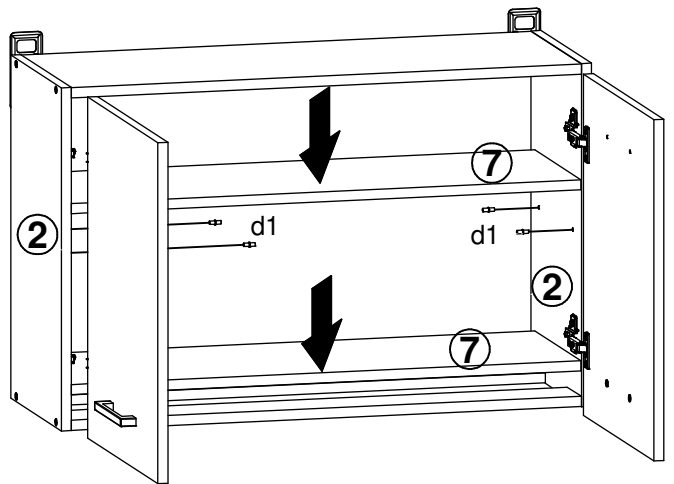
10



14A



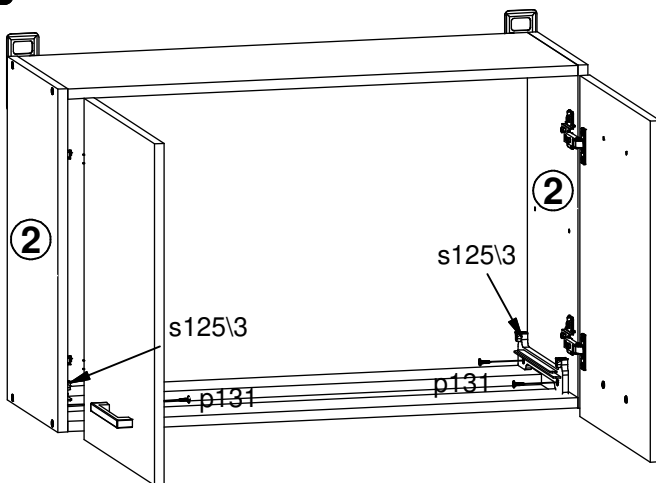
14B



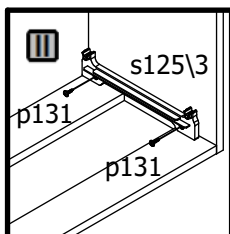
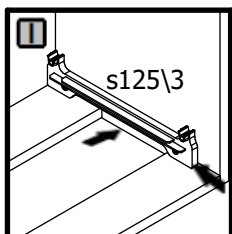
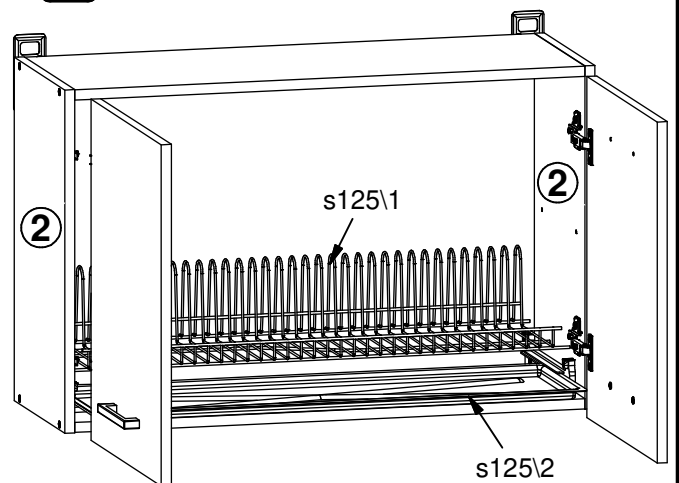
15



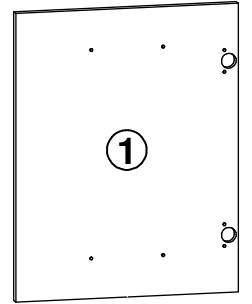
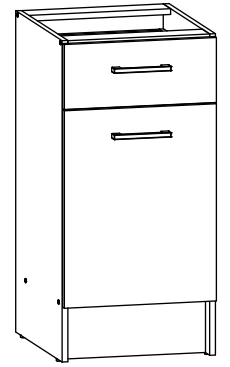
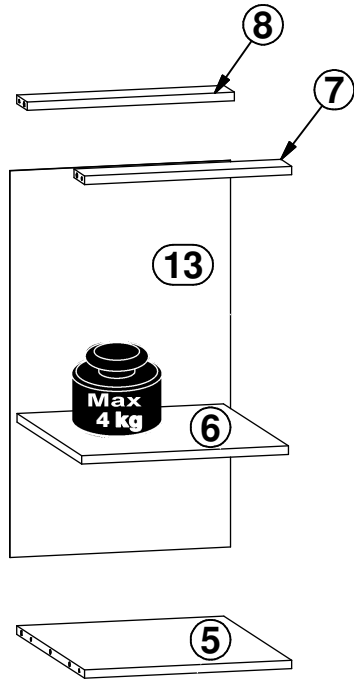
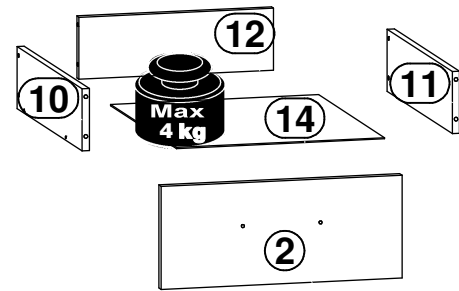
I



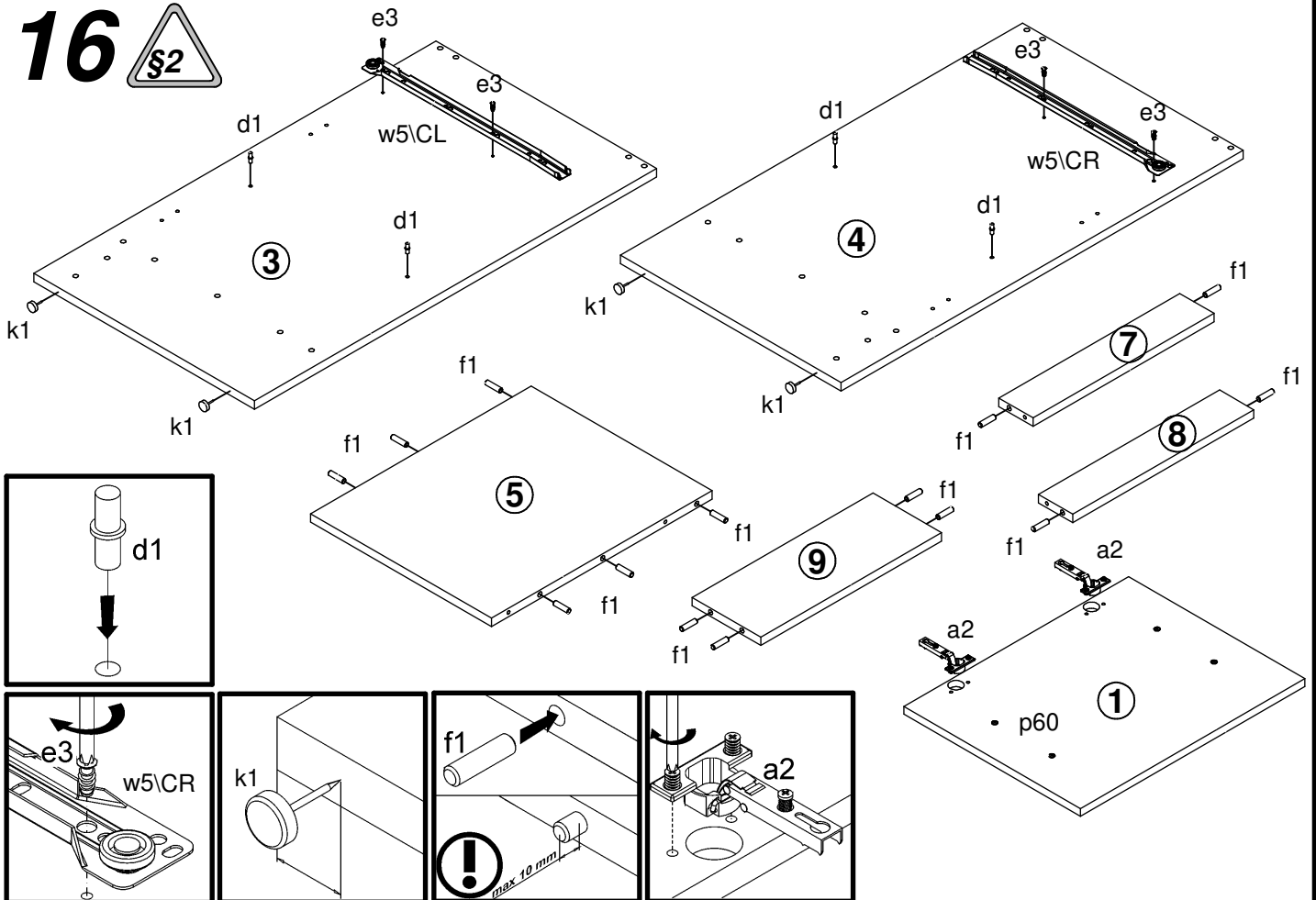
II



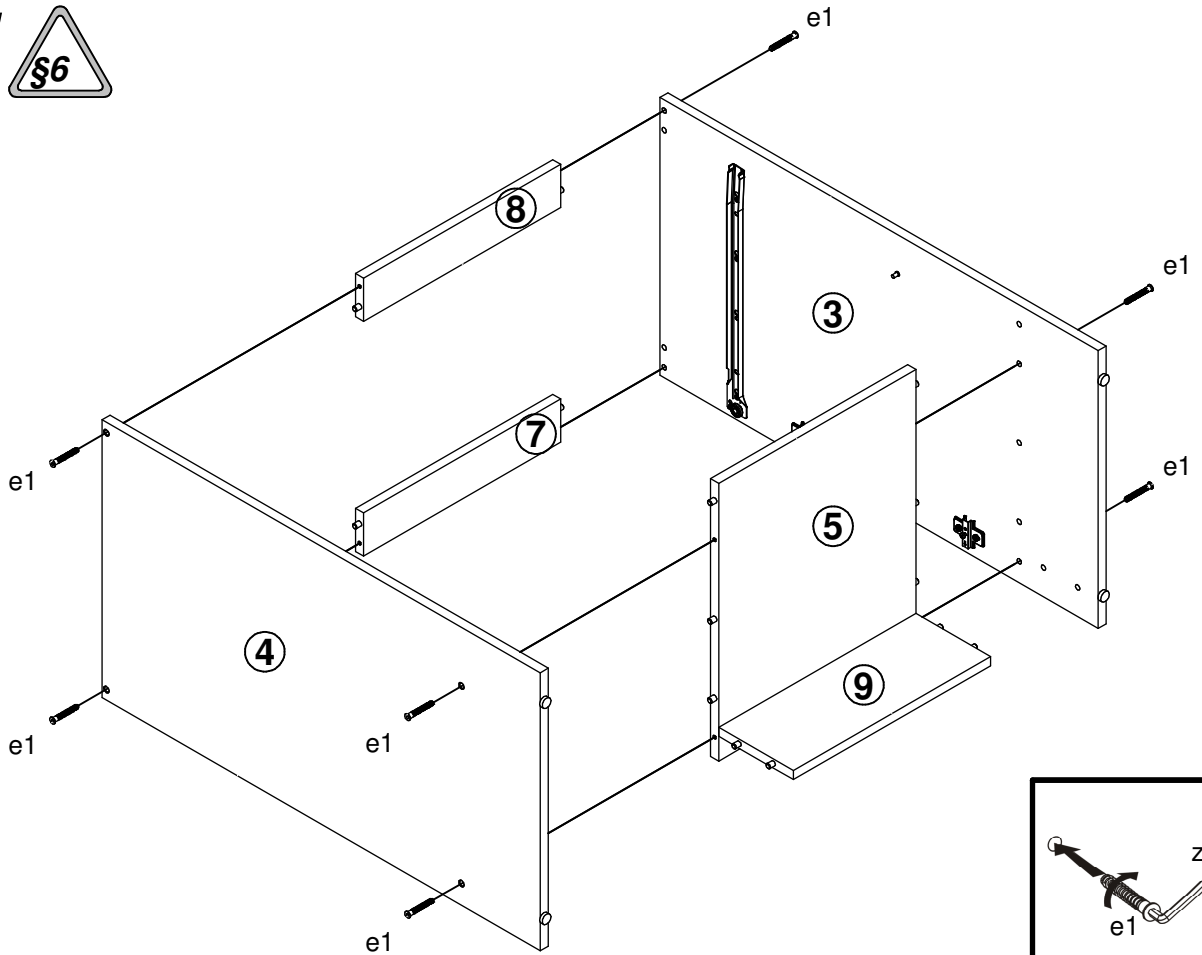
A	B	C	D
1	K44-0002	396	504
2	K44-0007	396	166
3	K44-1008	820	450
4	K44-1009	820	450
5	K44-3001	369	450
6	K44-3002	368	430
7	K44-4001	369	70
8	K44-4002	369	70
9	K44-4003	369	140
10	K44-5001	400	100
11	K44-5002	400	100
12	K44-5003	320	100
13	K44-9001	675	393
14	K44-9004	406	342



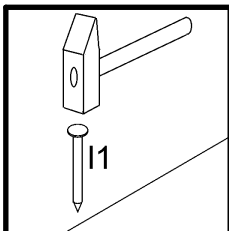
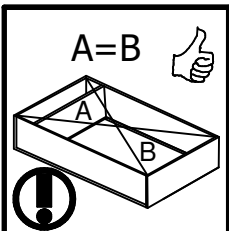
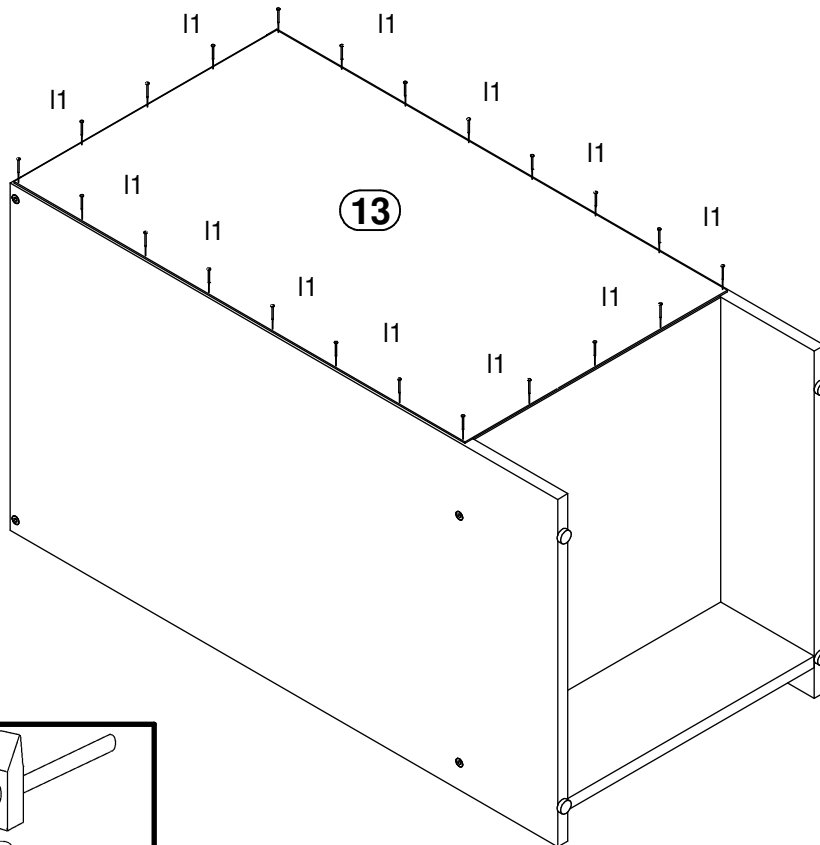
16

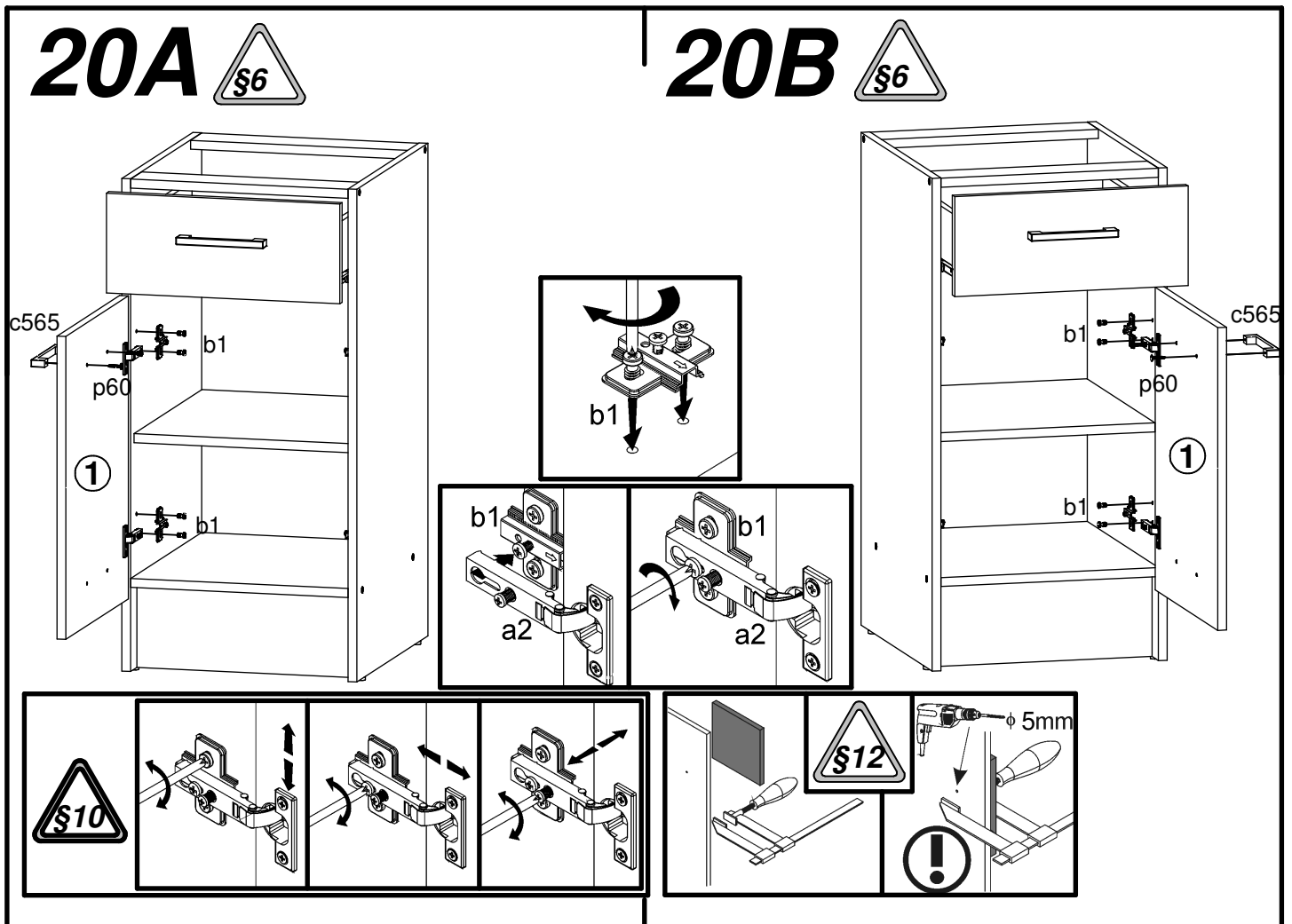
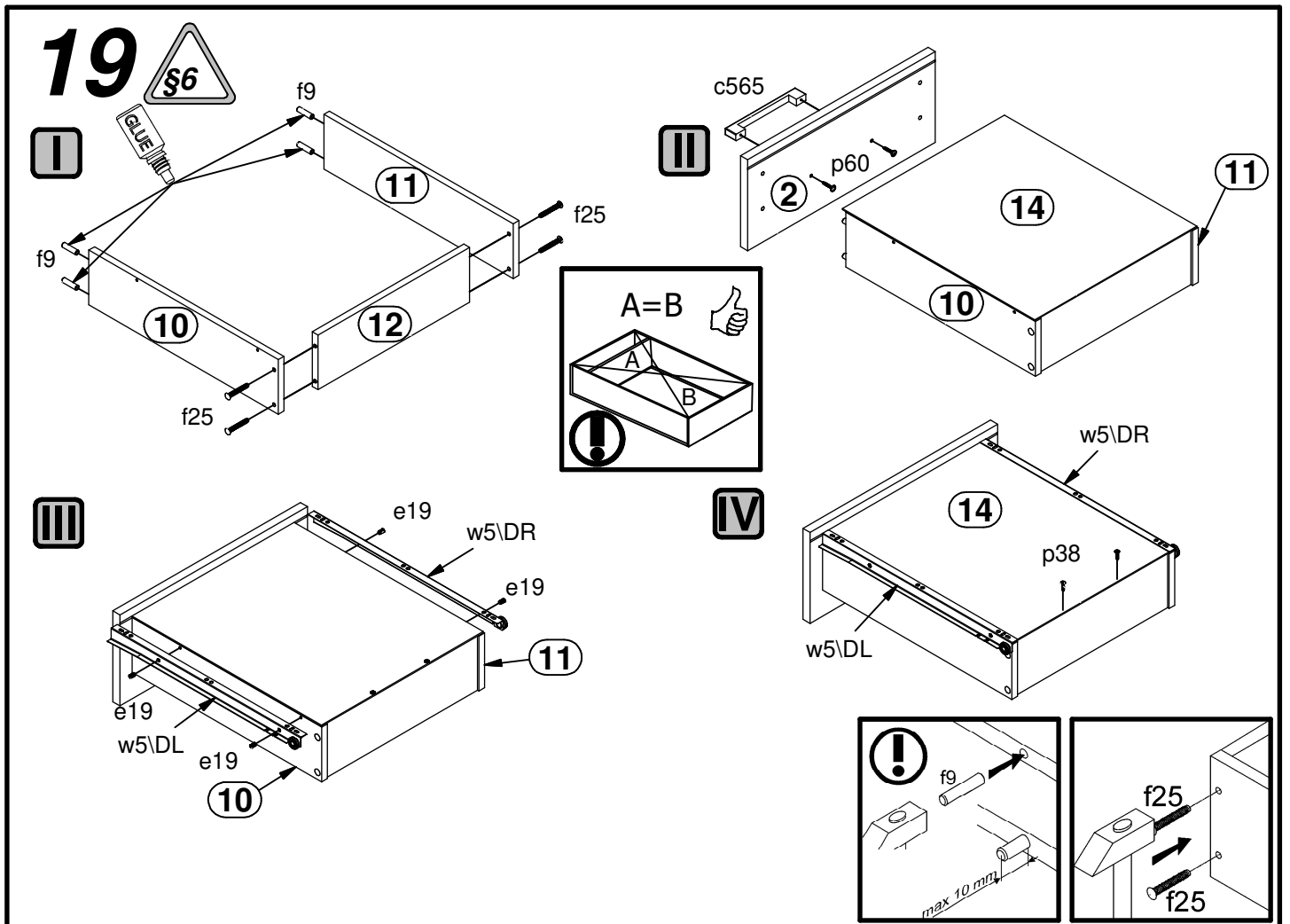


17

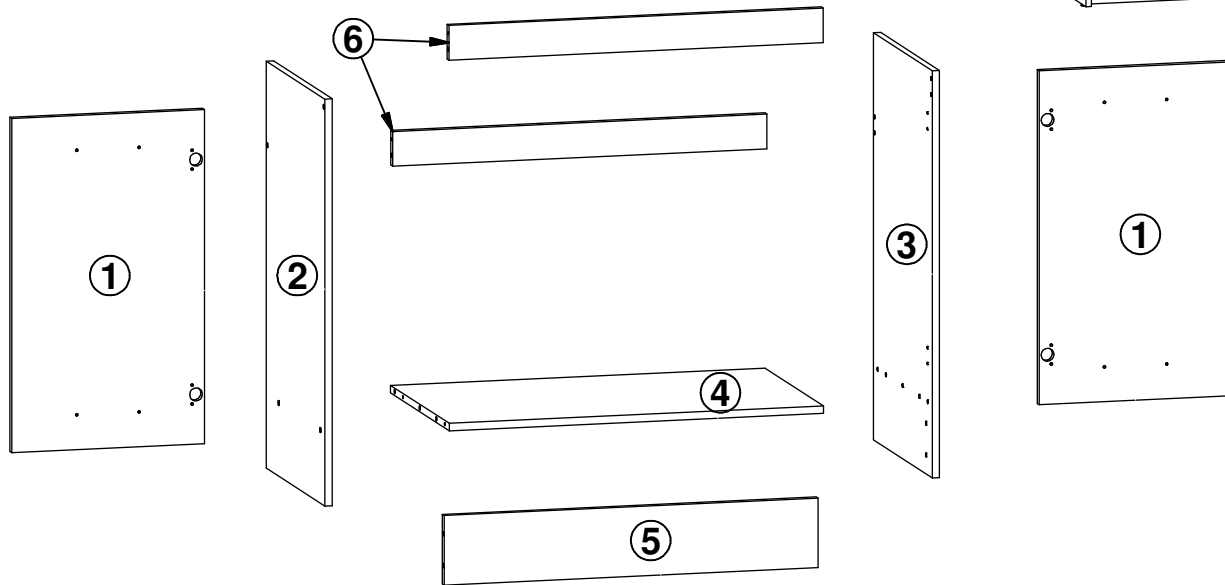
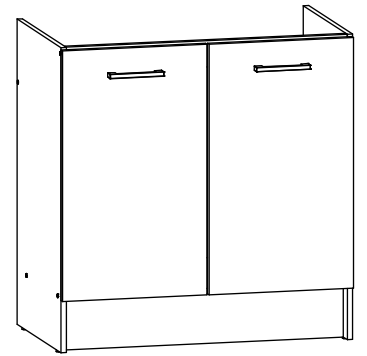


18

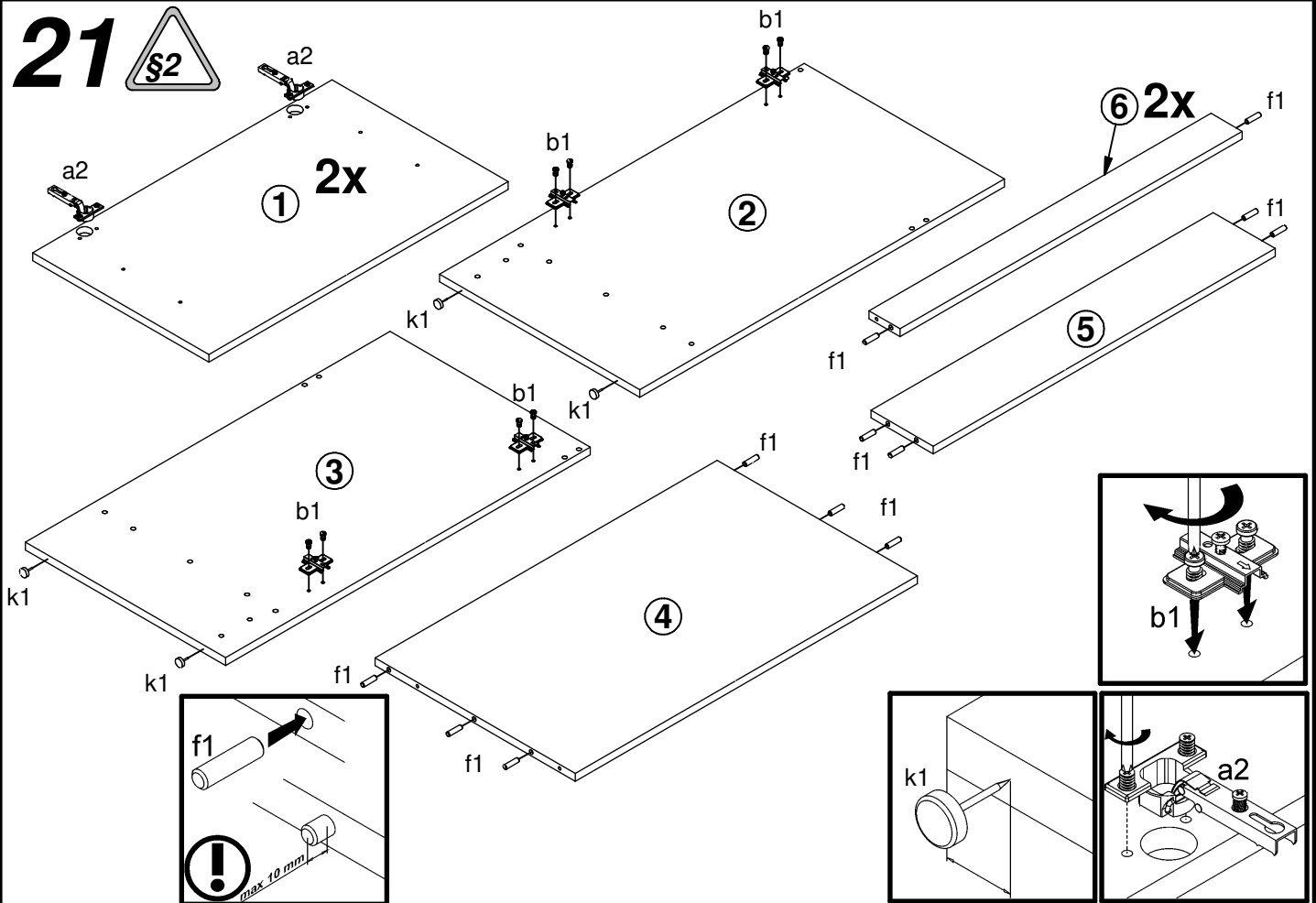




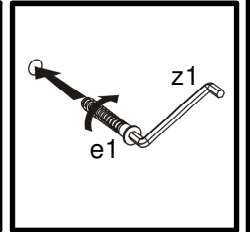
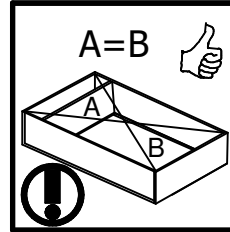
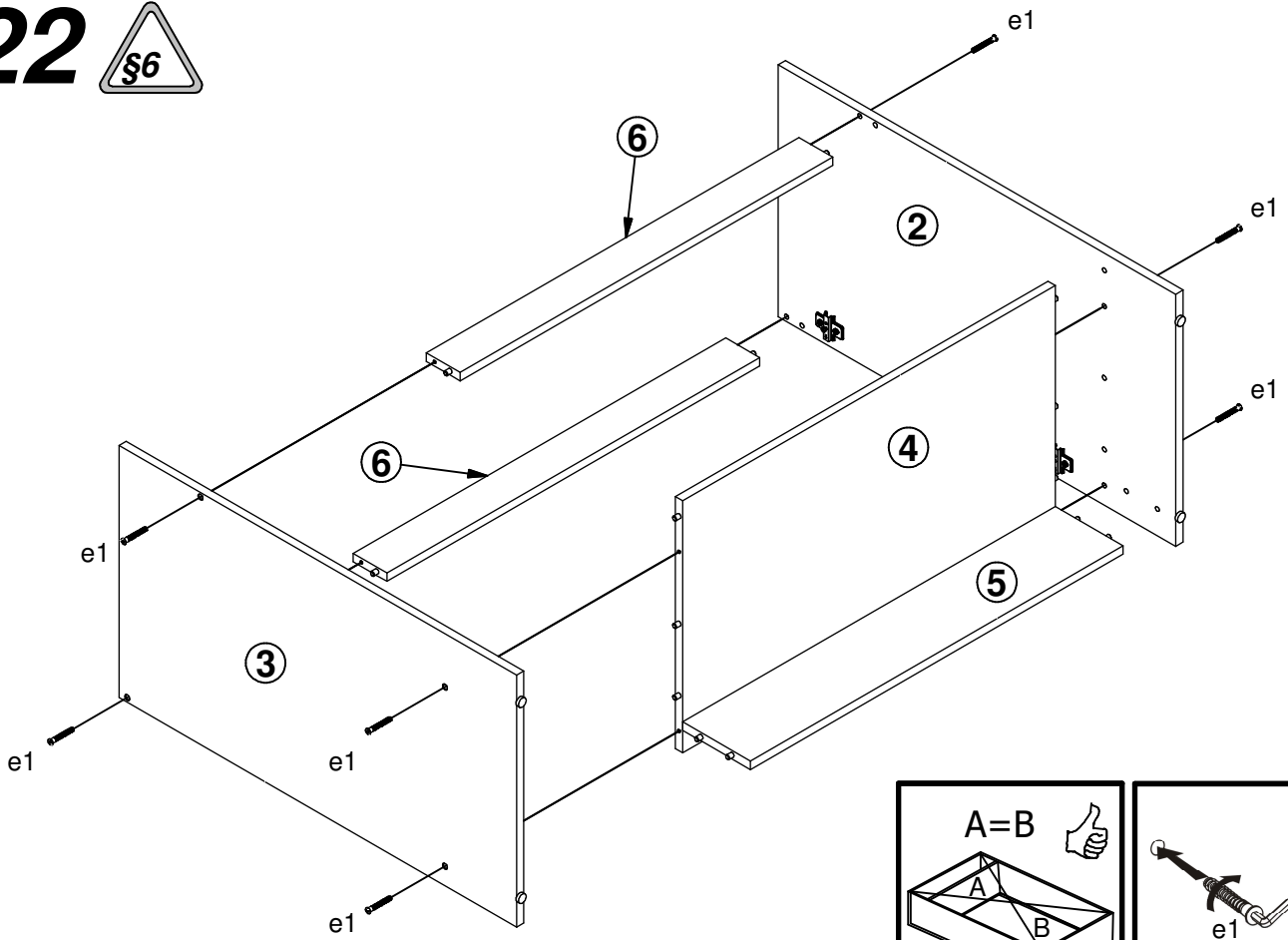
A	B	C	D
1	K44-0008	396	673
2	K44-1004	820	450
3	K44-1005	820	450
4	K44-3006	769	450
5	K44-4004	769	140
6	K44-4005	769	70



21



22



23

