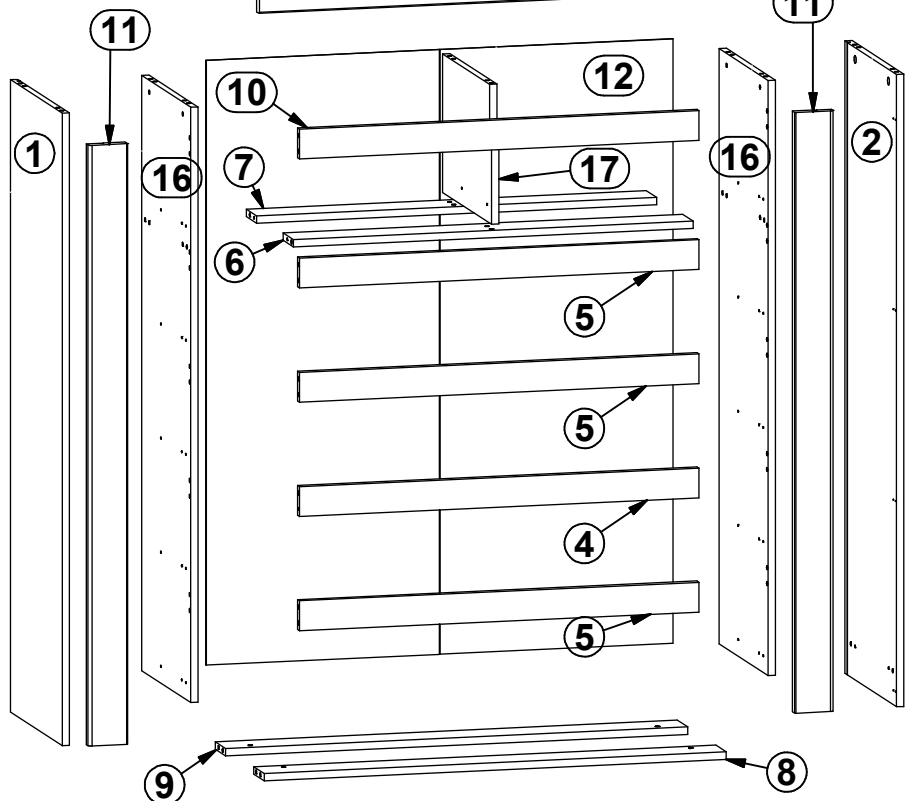
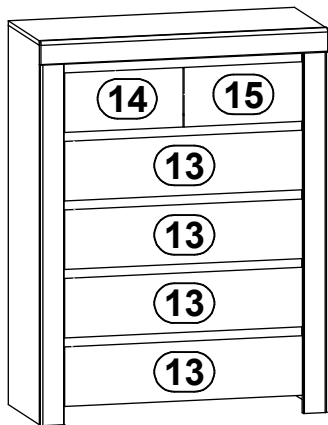
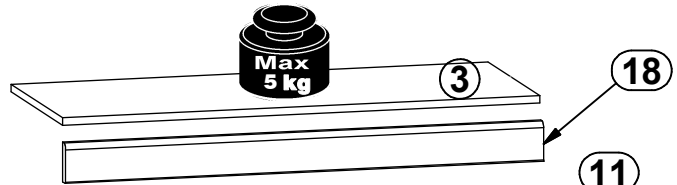
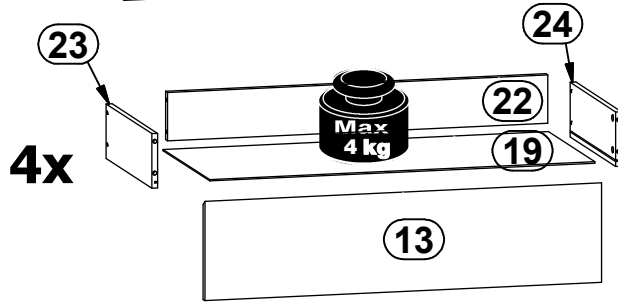
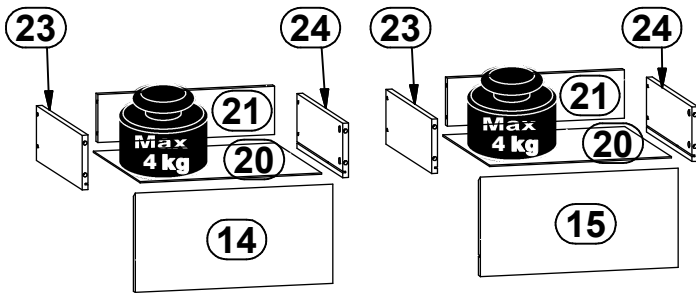
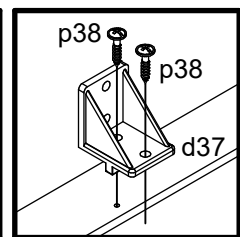
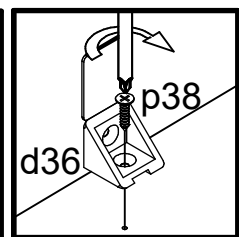
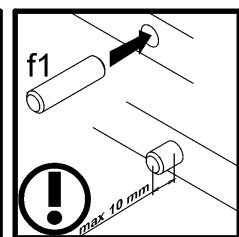
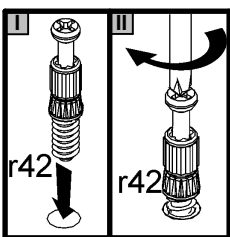
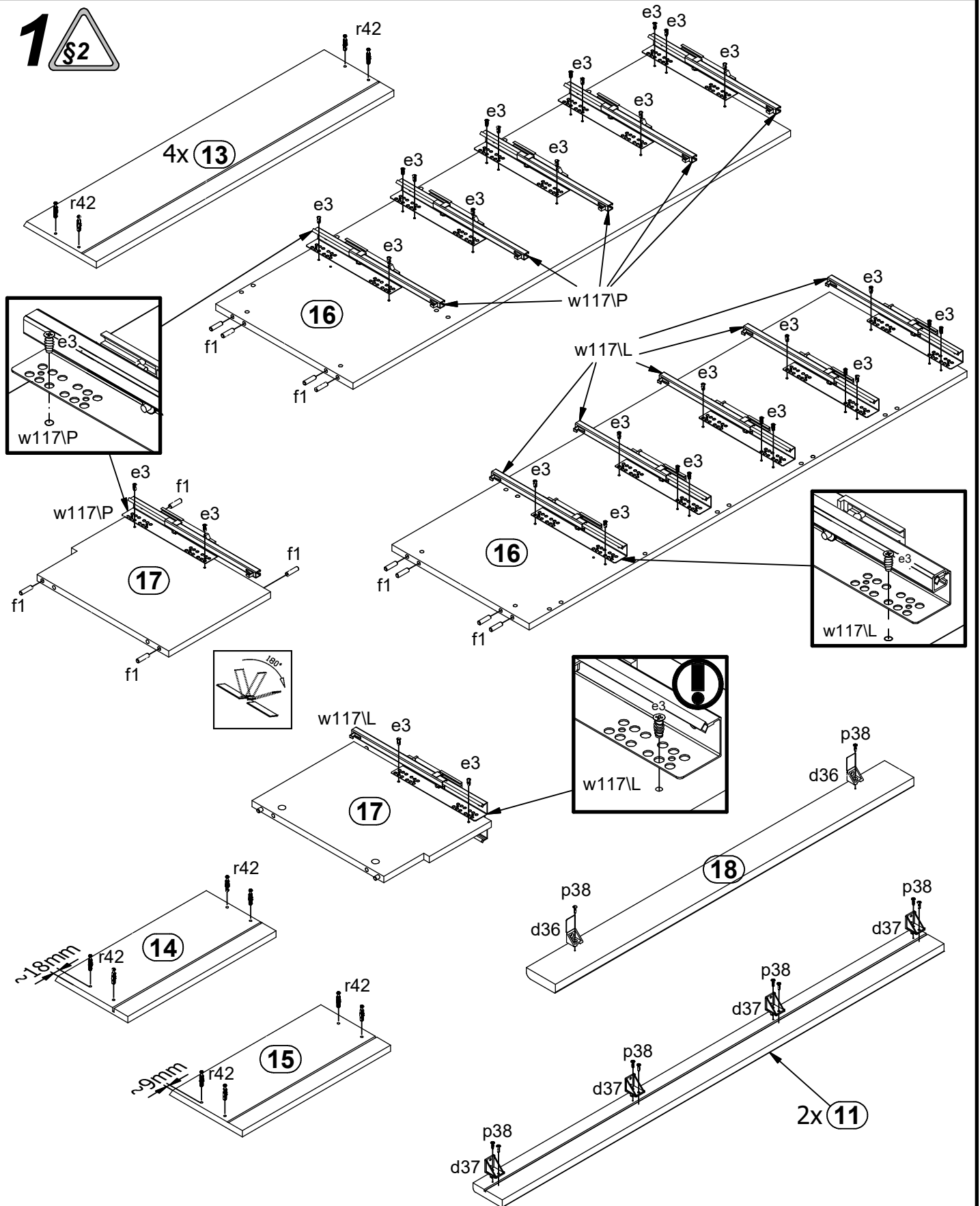


A	B	C		D
1	S440-1001/A	1274	396	1/2
2	S440-1002/A	1274	396	1/2
3	S440-2001/A	980	396	2/2
4	S440-4001	821	60	2/2
5	S440-4002	821	60	2/2
6	S440-4003	821	80	2/2
7	S440-4004	821	80	2/2
8	S440-4005	949	80	2/2
9	S440-4006	949	80	2/2
10	S440-4007	821	60	2/2
11	S440-5001/A	1210	80	1/2
12	S440-9301	1218	959	1/2
13	S493-0001	815	200	2/2
14	S493-0002	406	200	2/2
15	S493-0003	406	200	2/2
16	S493-1003	1199	376	1/2
17	S493-1005	279	376	2/2
18	S493-5105	982	80	1/2
19	S493-9001	791	357	2/2
20	S493-9002	373	357	2/2
21	ZQ6-5055	363	97	2/2
22	ZQ6-5056	781	97	2/2
23	ZQ6-519	350	110	1/2
24	ZQ6-520	350	110	1/2

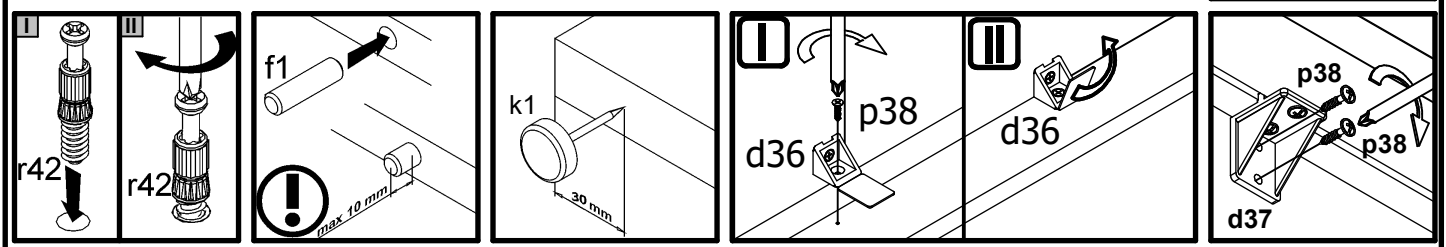
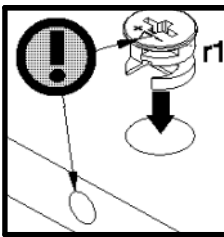
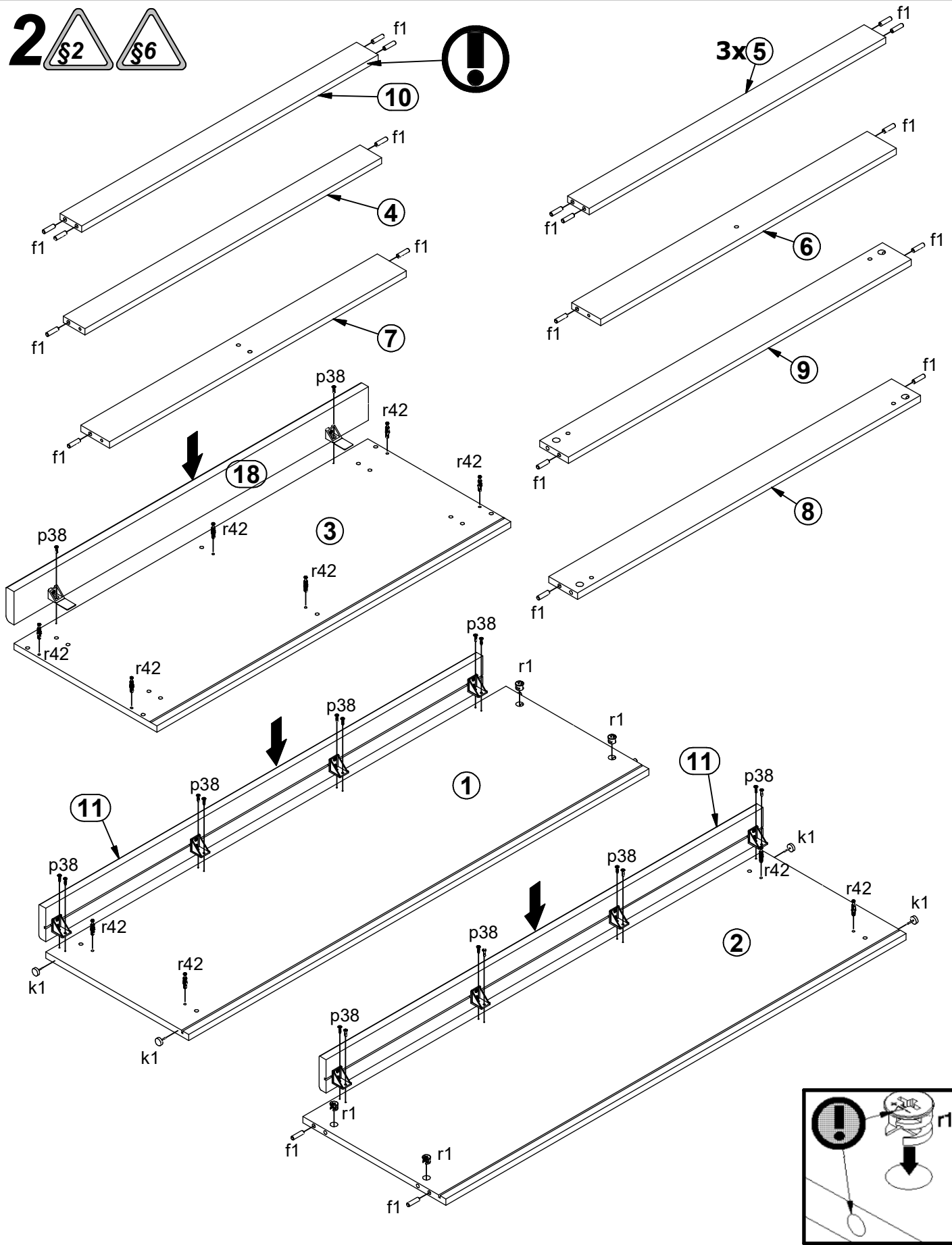


2x  d36	8x  d37	12x  e1 Ø7x50 mm	32x  e3 Ø6x13 mm	42x  f1 Ø8x30 mm	24x  f25 Ø6.5x40 mm	4x  k1	8x  l2	4x  p35 Ø3.5x10 mm
37x  p38 Ø3.5x16 mm	4x  p51 Ø3.5x15 mm	49x  p55 Ø2.9x16 mm	10x  r1 Ø15x12 mm #16	24x  r15 Ø12x10.5 mm #12	34x  r42 20/11	4x  t35 350 mm	6x  w117L 350 mm	6x  w117P 350 mm
1x  z1 4 mm	1x  n26							

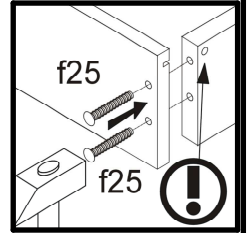
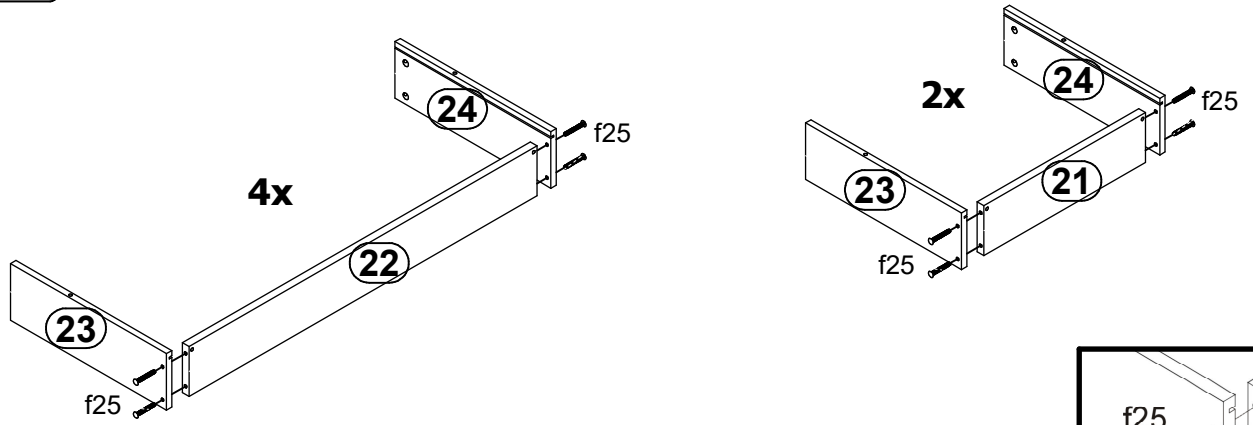
1  2



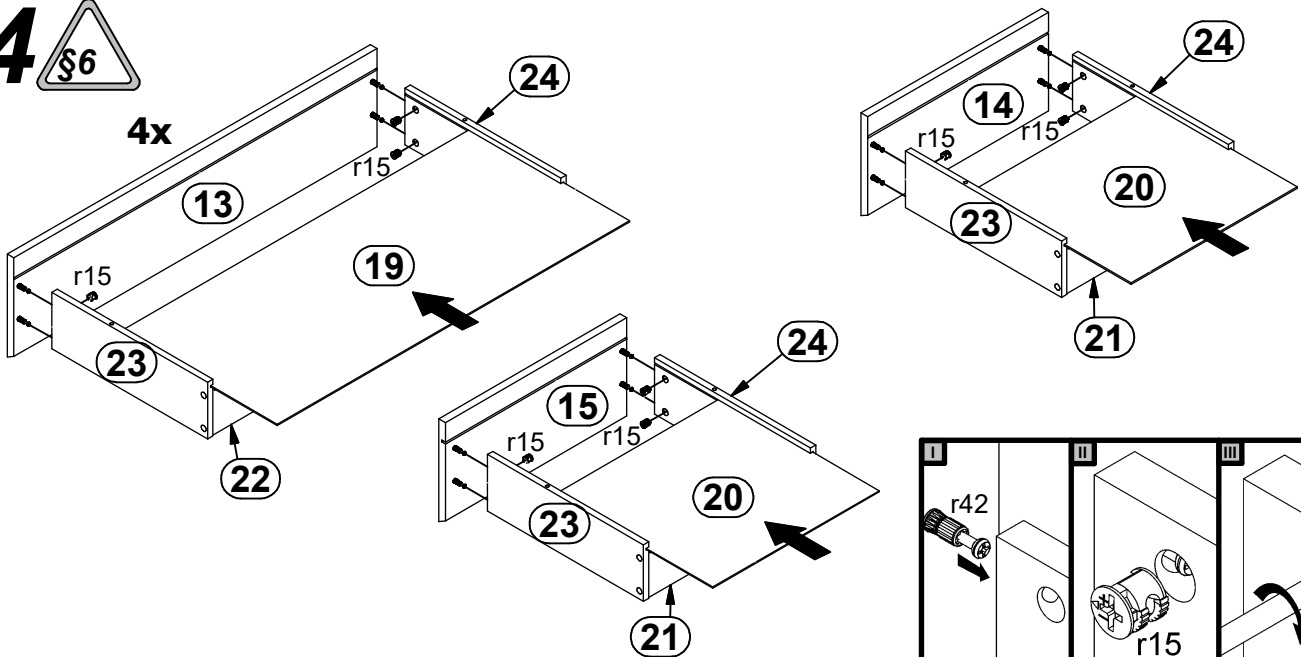
2  



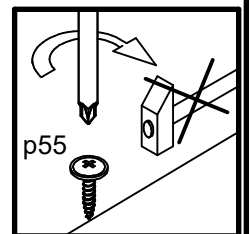
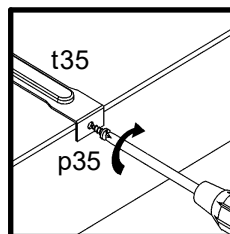
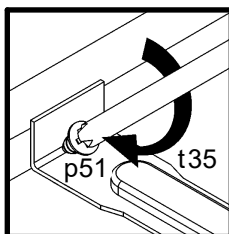
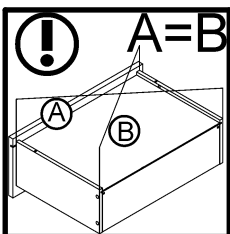
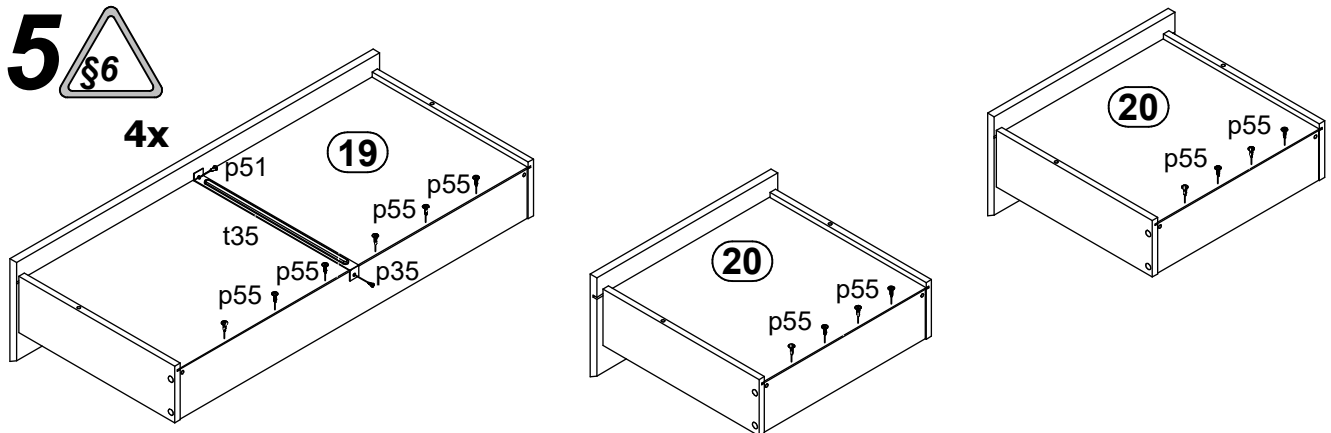
**3** §6



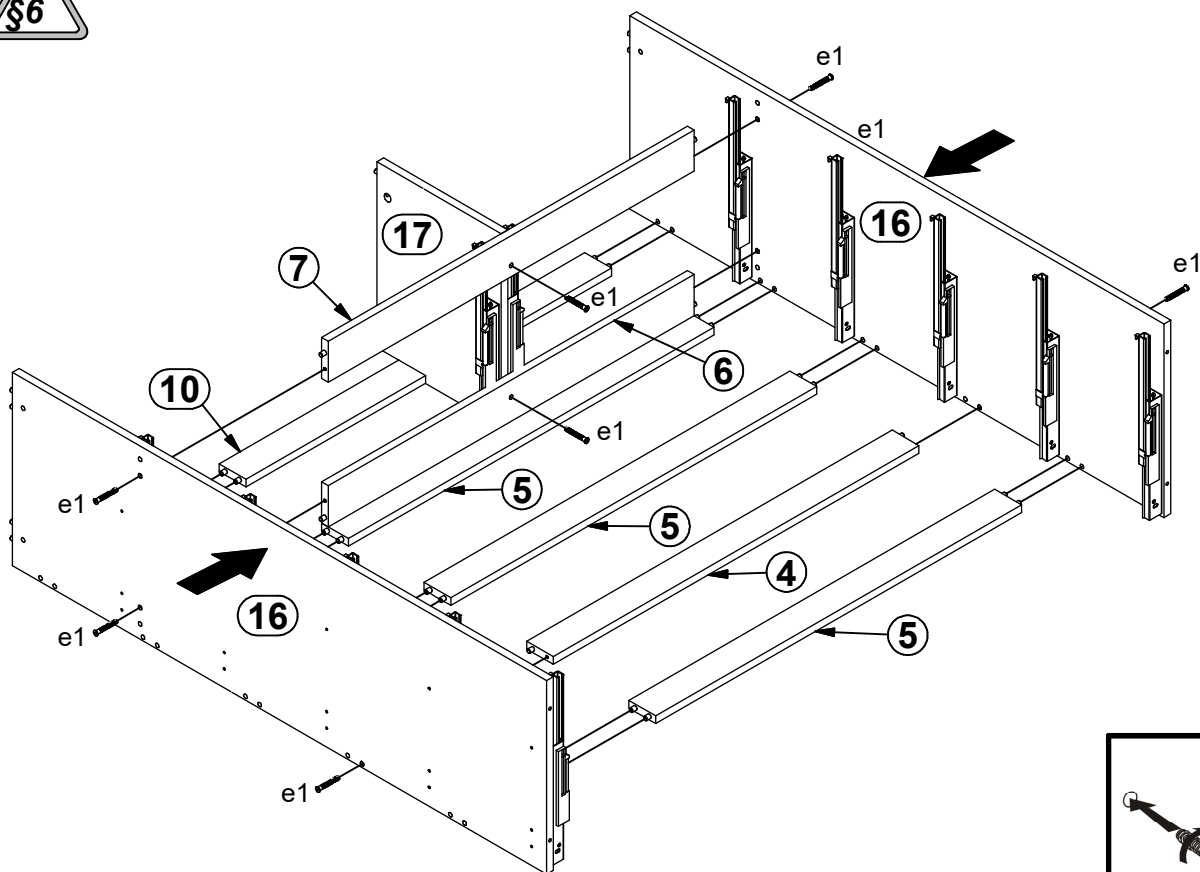
**4** §6



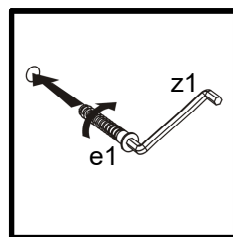
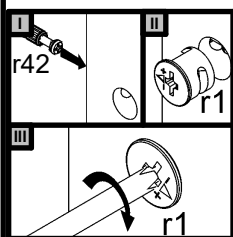
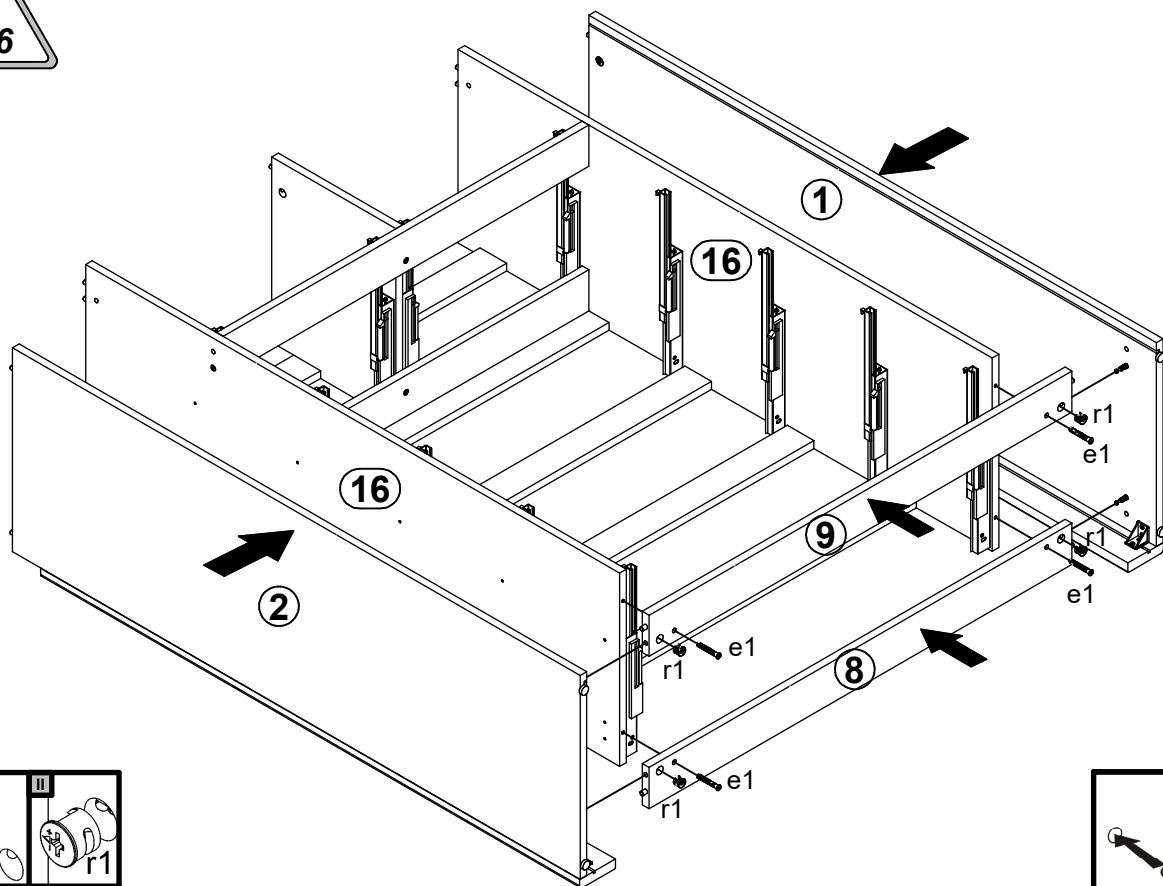
**5** §6

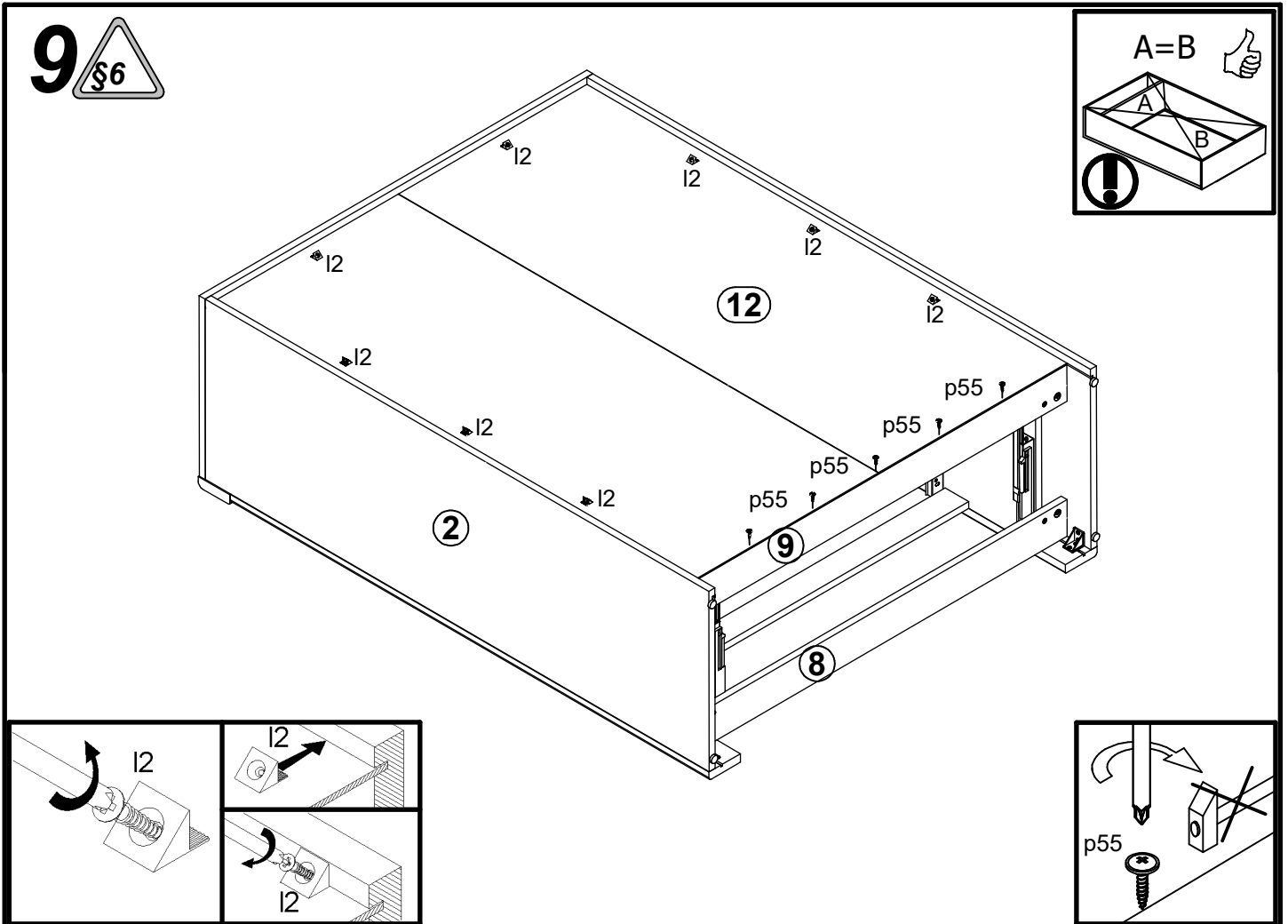
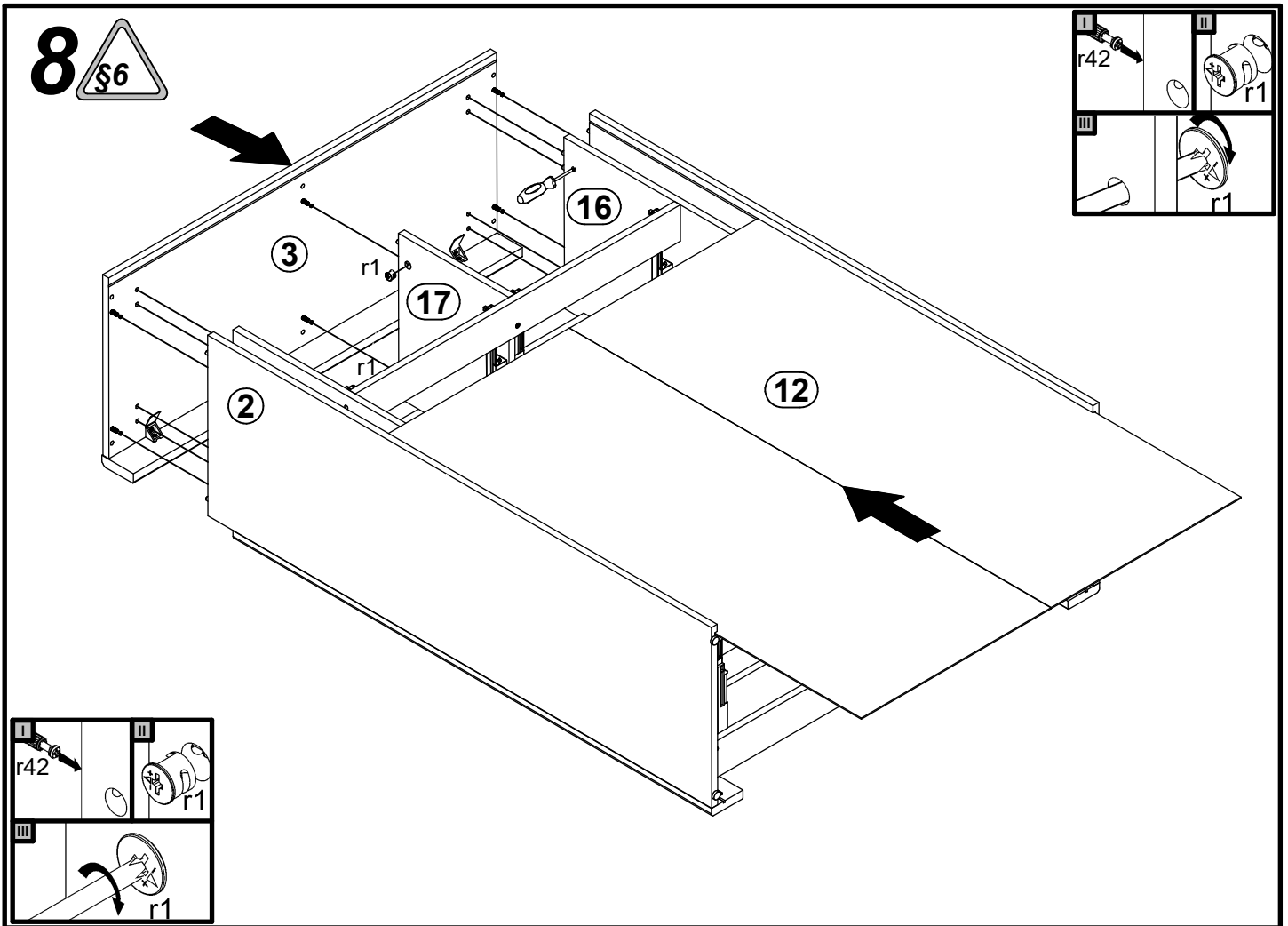


# 6



# 7





# 10

