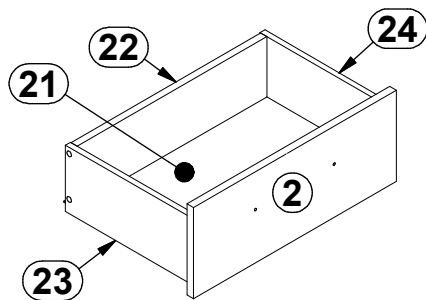


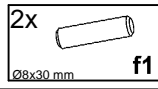
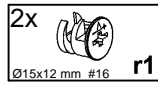
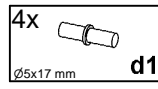
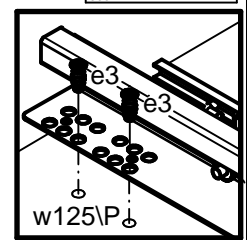
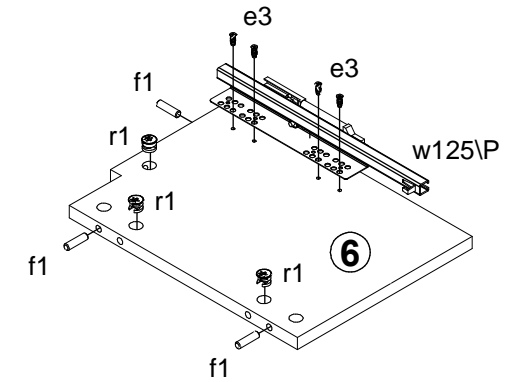
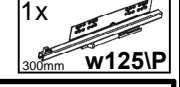
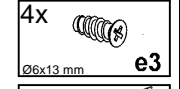
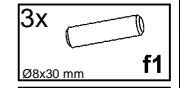
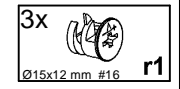
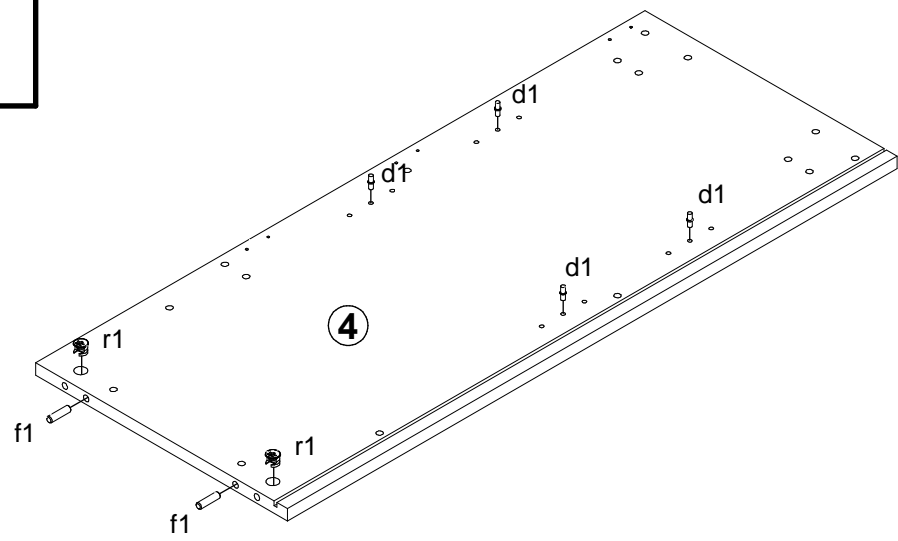
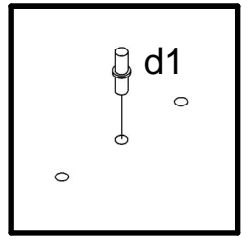
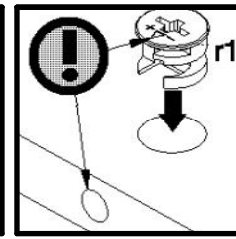
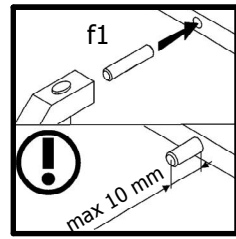
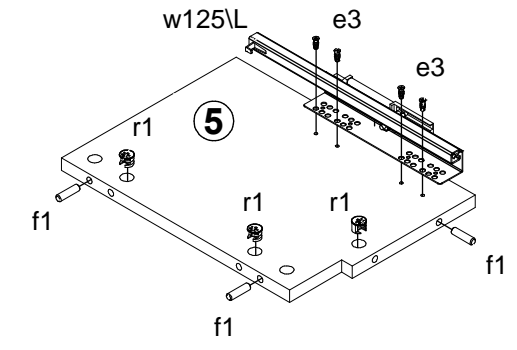
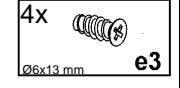
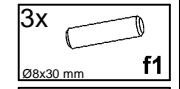
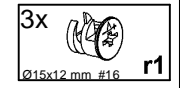
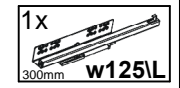
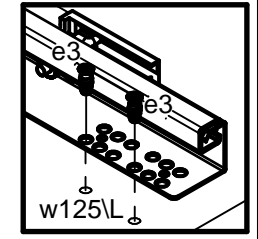
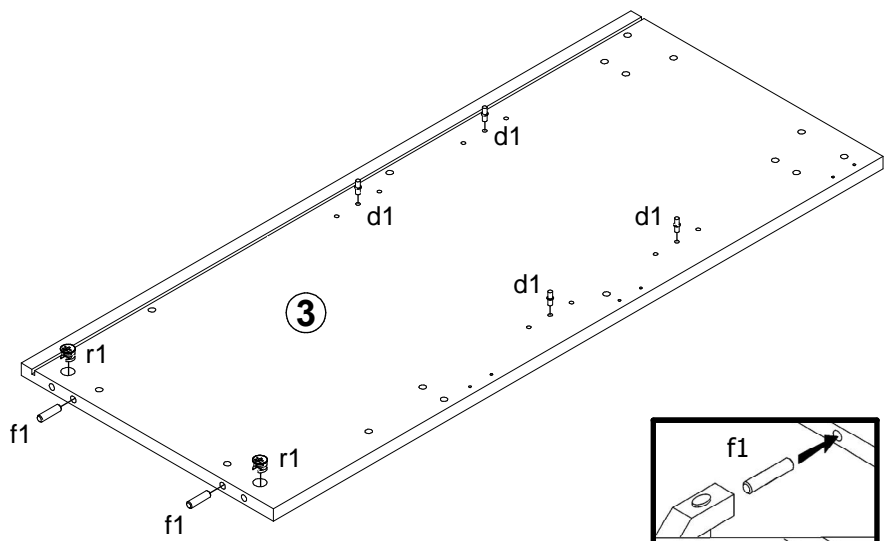
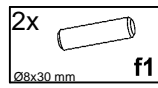
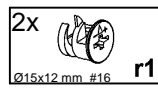
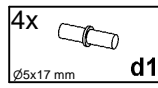
A	B	C1	C2	C3	D
1	M244-0007	494,	548	16	2/2
2	M244-0008	494	192	16	2/2
3	M244-1006	914	378	16	1/2
4	M244-1007	914	378	16	1/2
5	M244-1009	262	358	16	1/2
6	M244-1010	262	358	16	1/2
7	M244-2004	616	378	16	1/2
8	M244-3005	584	358	16	1/2
9	M244-3007	584	354,	16	2/2
10	M244-4002	584	60	16	1/2
11	M244-5055	910	80	22	2/2
12	M244-5056	910	80	22	2/2
13	M244-5057	920	58,	22	2/2
14	M244-5058	910	58,	22	2/2
15	M244-5501	378	80	22,	2/2
16	M244-5502	262	80,	19,	2/2
17	M244-5554	661	80	22,	2/2
18	M244-5555	500	80,	19,	2/2
19	M244-5556	582	40	16	2/2
20	M244-9004	840	594	2,5	2/2
21	WSP-9178	472	308	2,5	1/2
22	ZQ6-5032	462	127	15	1/2
23	ZQ6-509	300	140	12	1/2
24	ZQ6-510	300	140	12	1/2

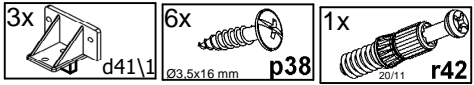


2x a132	1x a133	2x H2 b83	2x 192mm c280\1	8x Ø5x17 mm d1	6x d41\1	4x d41\2
8x Ø7x50 mm e1	8x Ø6x13 mm e3	20x Ø7x28 mm e22	16x Ø8x30 mm f1	8x Ø8x20 mm f13	4x Ø6,5x40 mm f25	4x M4x22 mm j30
6x k1	2x 83x83x11 k101	5x l1	5x l2	3x Ø4x30 mm p9	44x Ø3,5x16 mm p38	4x Ø3,5x15 mm p51
2x Ø2,9x16 mm p55	4x Ø3,5x20 mm p79	10x Ø15x12 mm #16 r1	4x Ø12x10,5 mm #12 r15	1x 300mm w125\P	1x 300mm w125\L	14x r42
1x z1			1x Ø10x50 mm f35	1x Ø6x21x15/1,5 n14\2	1x Ø5x60 mm p17	2x Ø3,5x16 mm p38

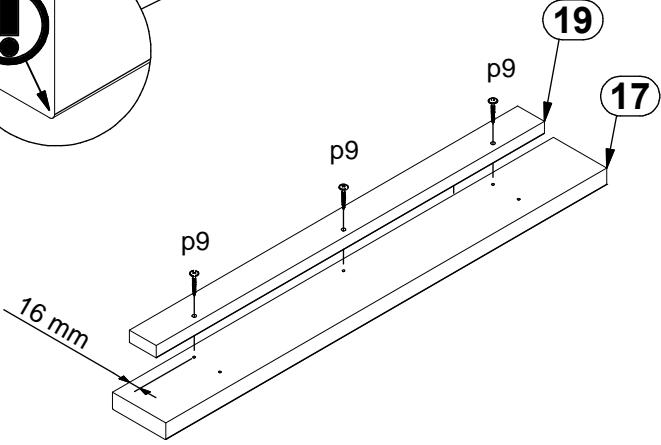
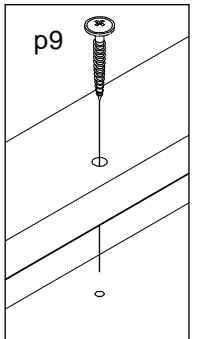
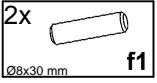
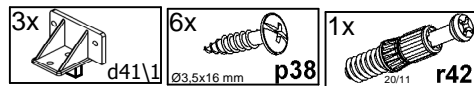
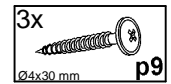
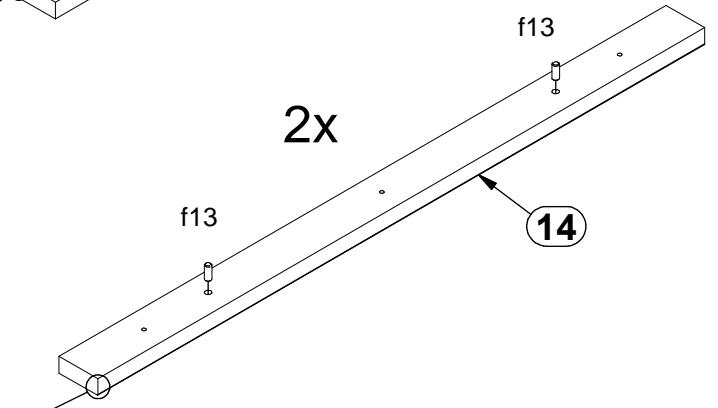
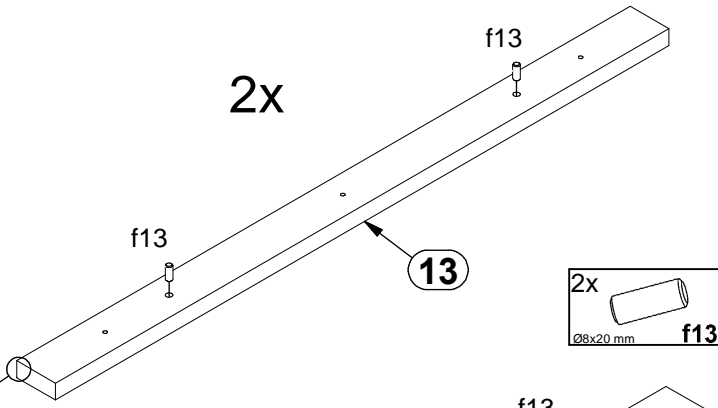
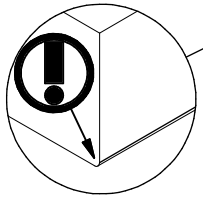
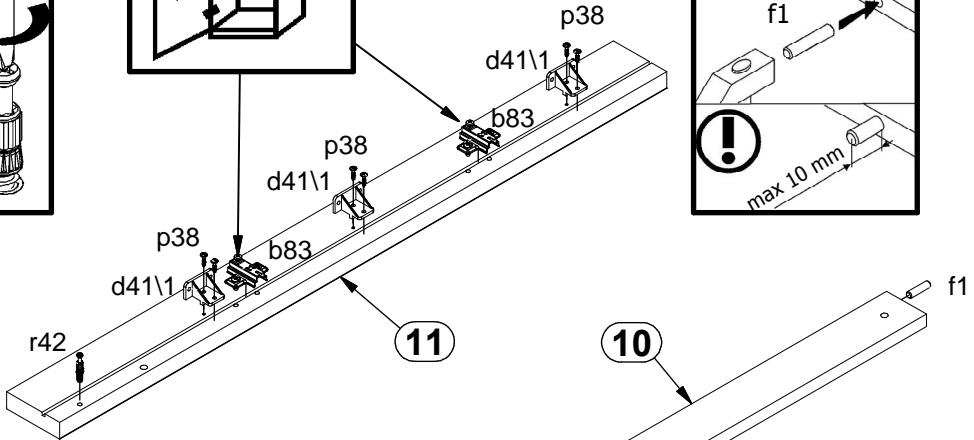
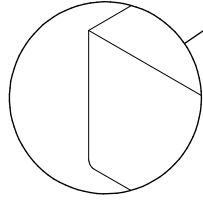
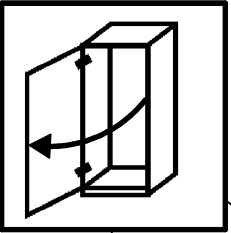
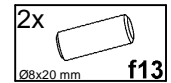
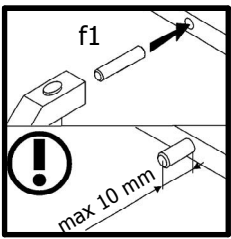
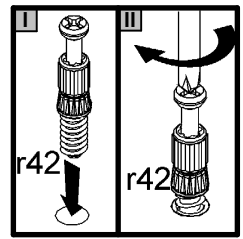
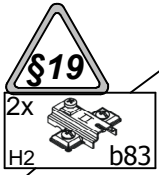
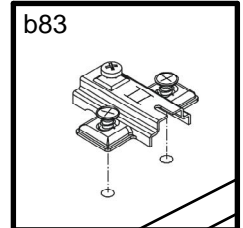
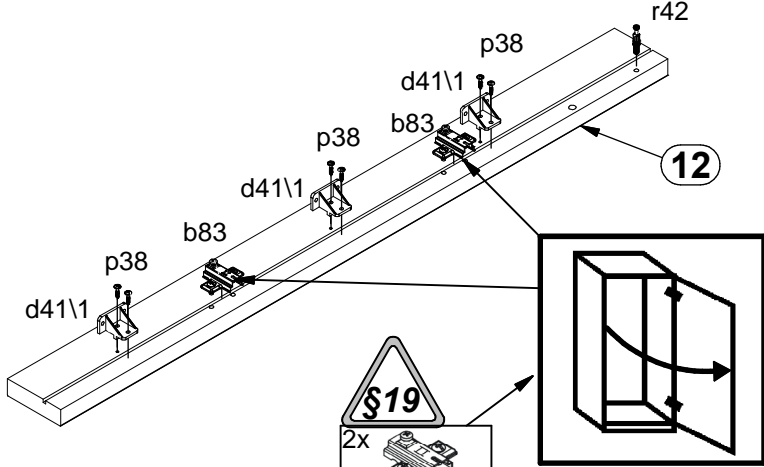
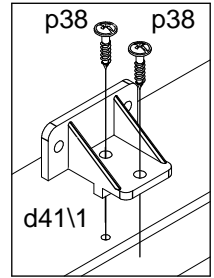
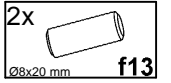
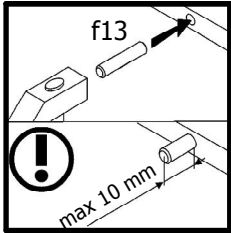


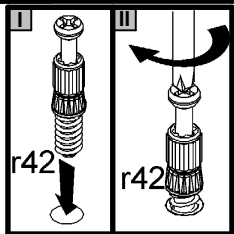
# A M244-KOM1D1S/10/7



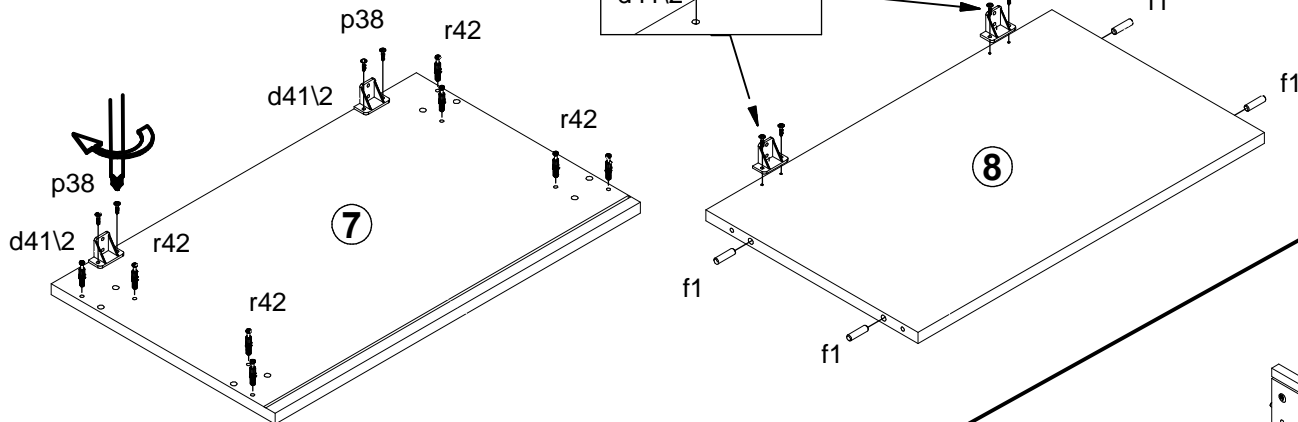
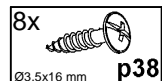
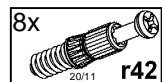
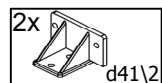
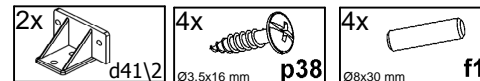


**1**

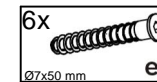
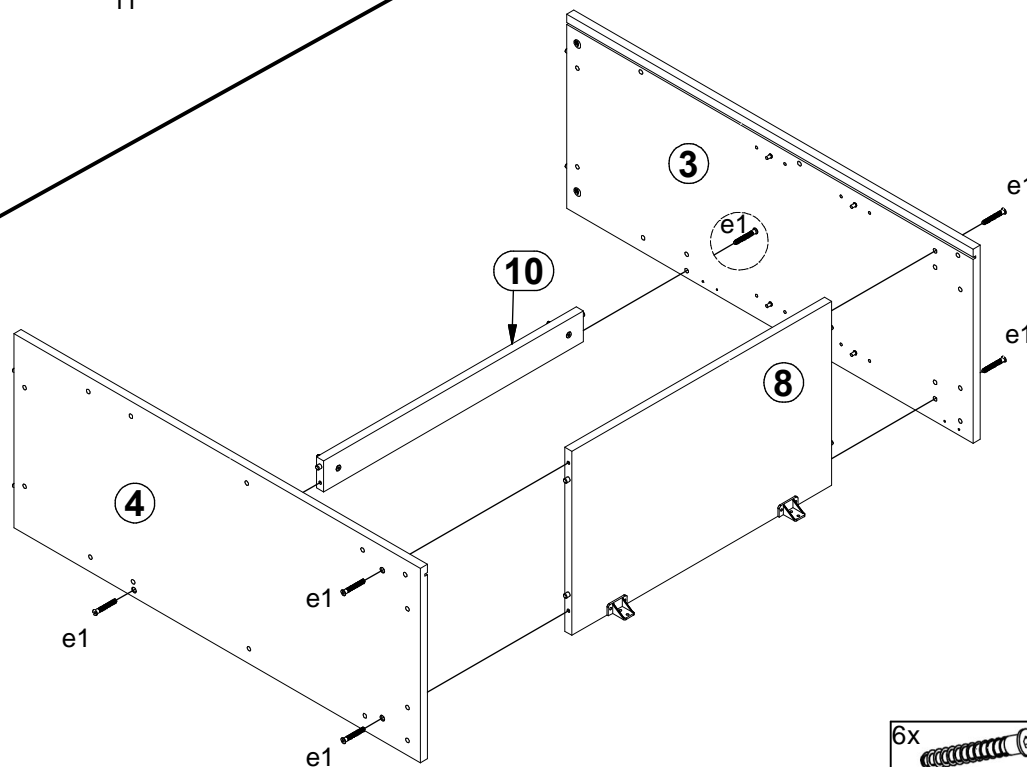
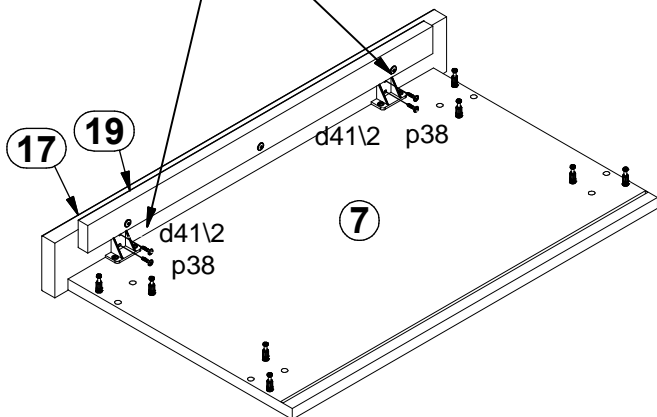
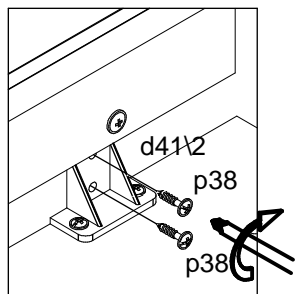


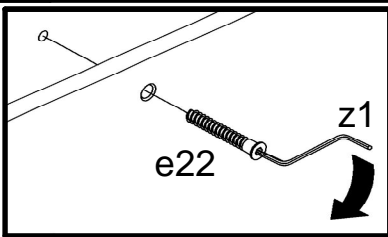



1

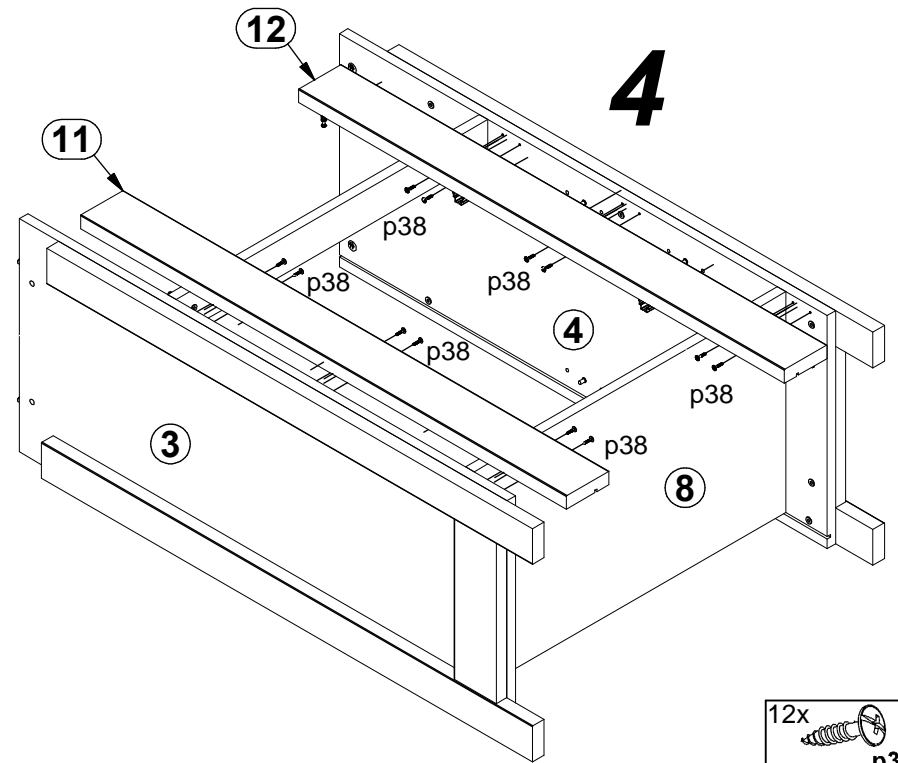
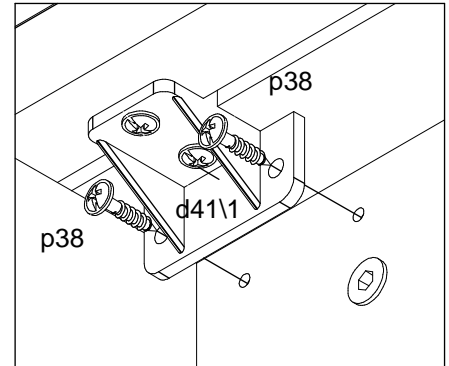
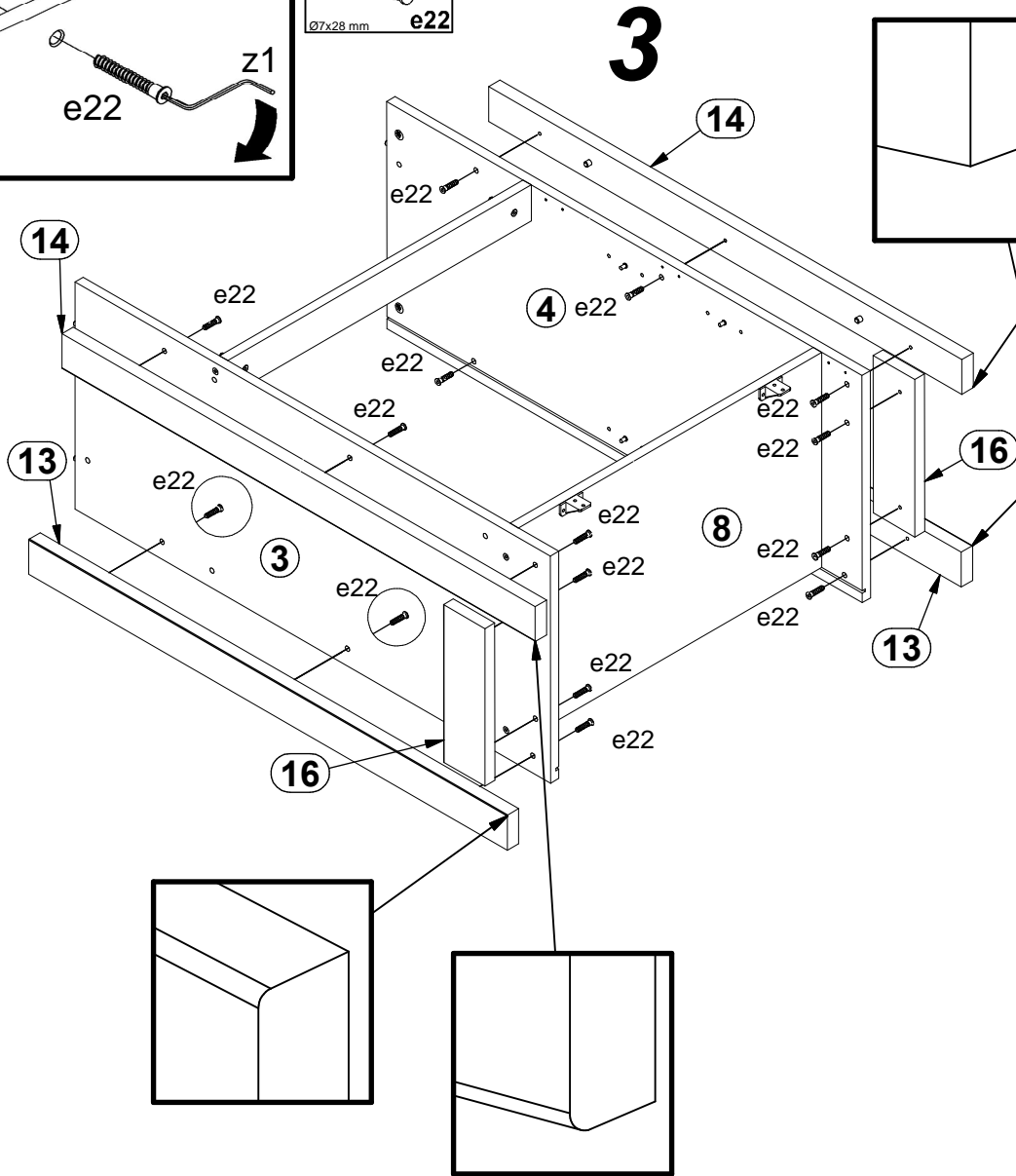



2

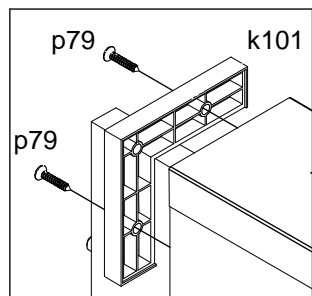




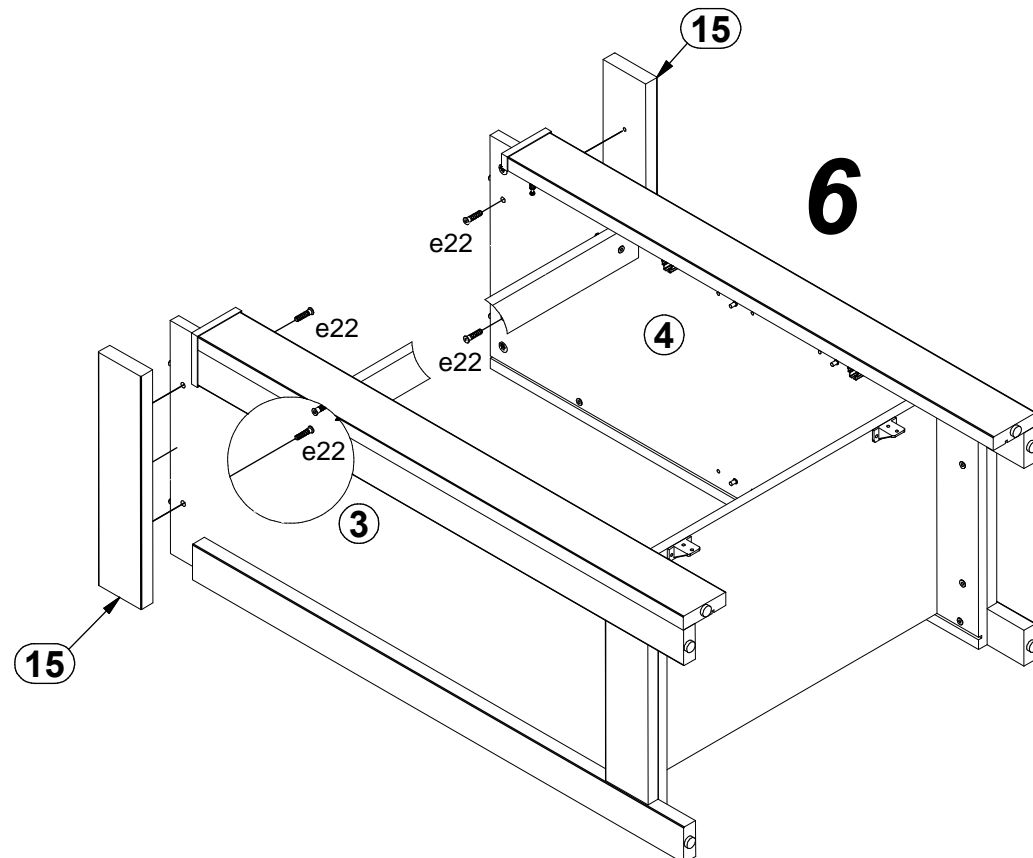
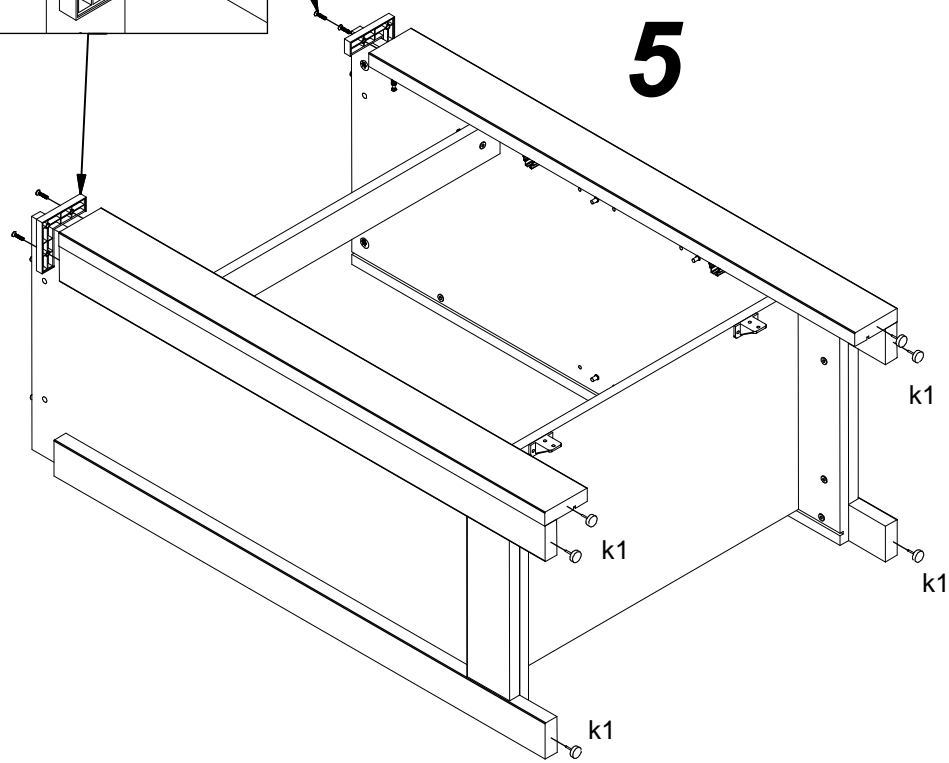
16x  e22  
 Ø7x28 mm



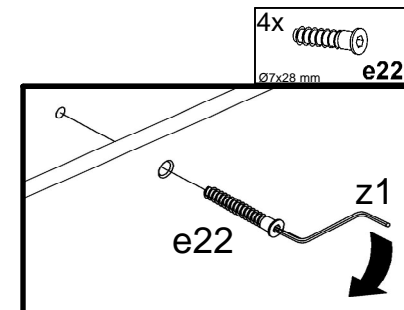
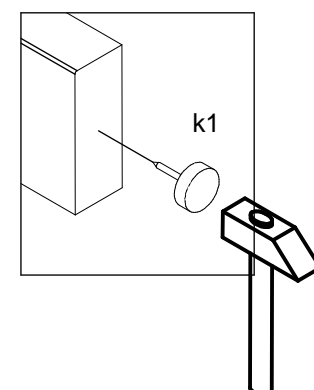
12x  p38  
 Ø3,5x16 mm

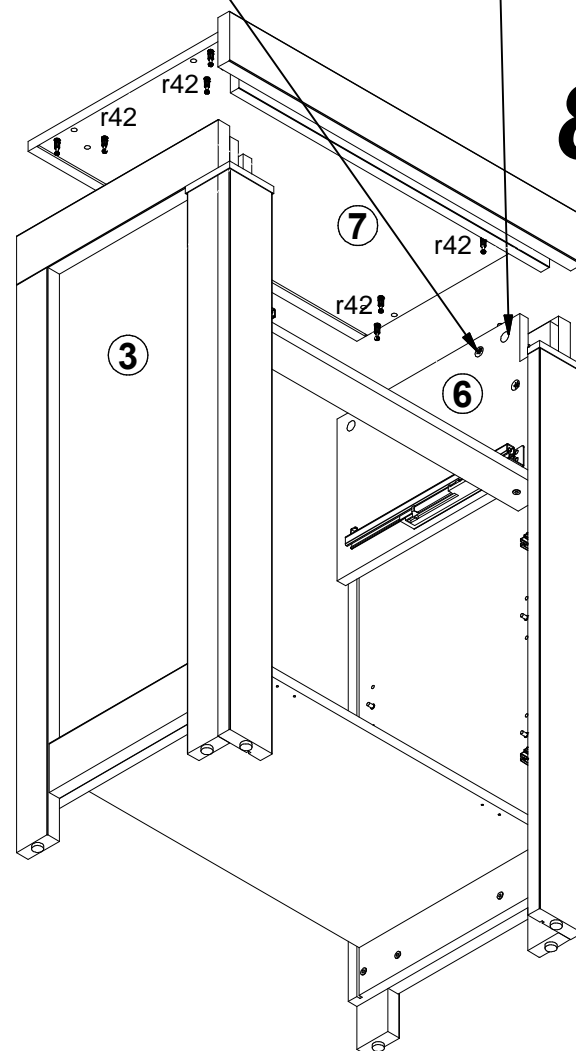
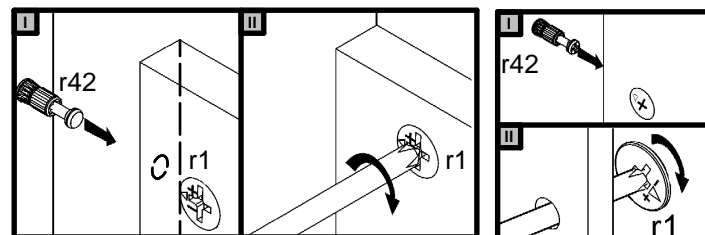
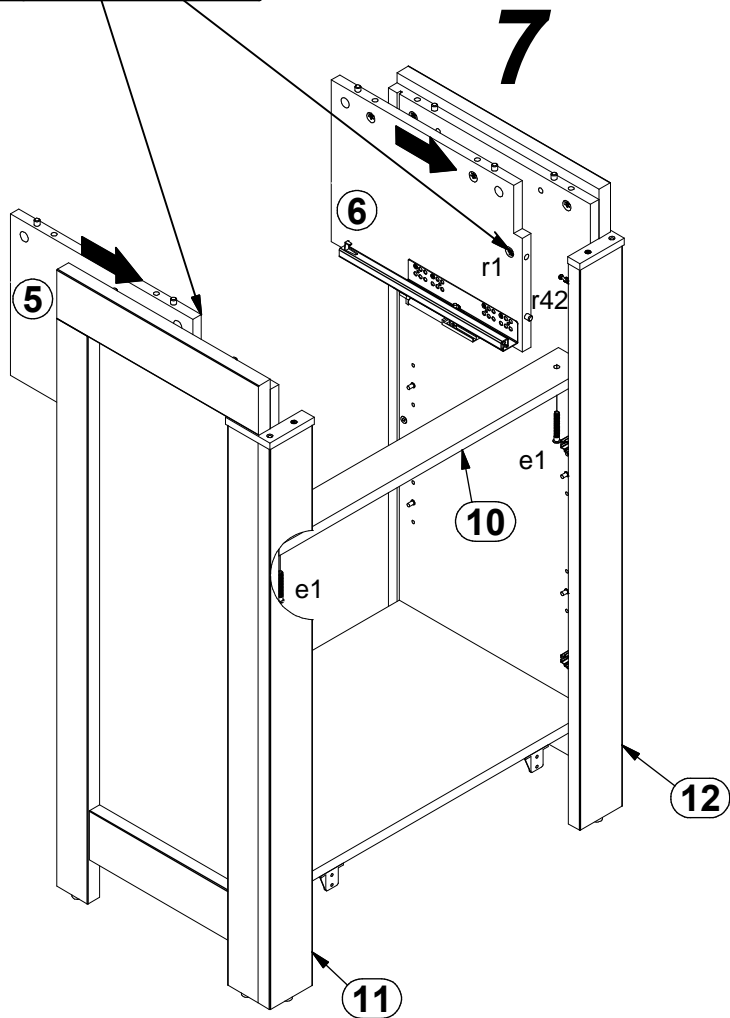
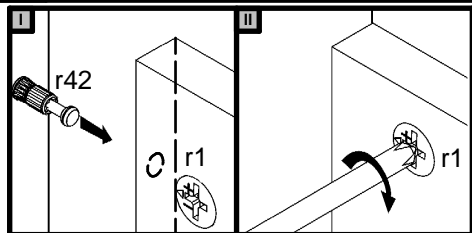


5



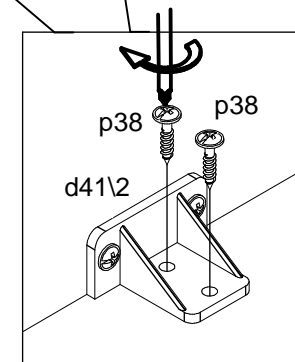
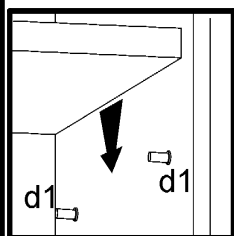
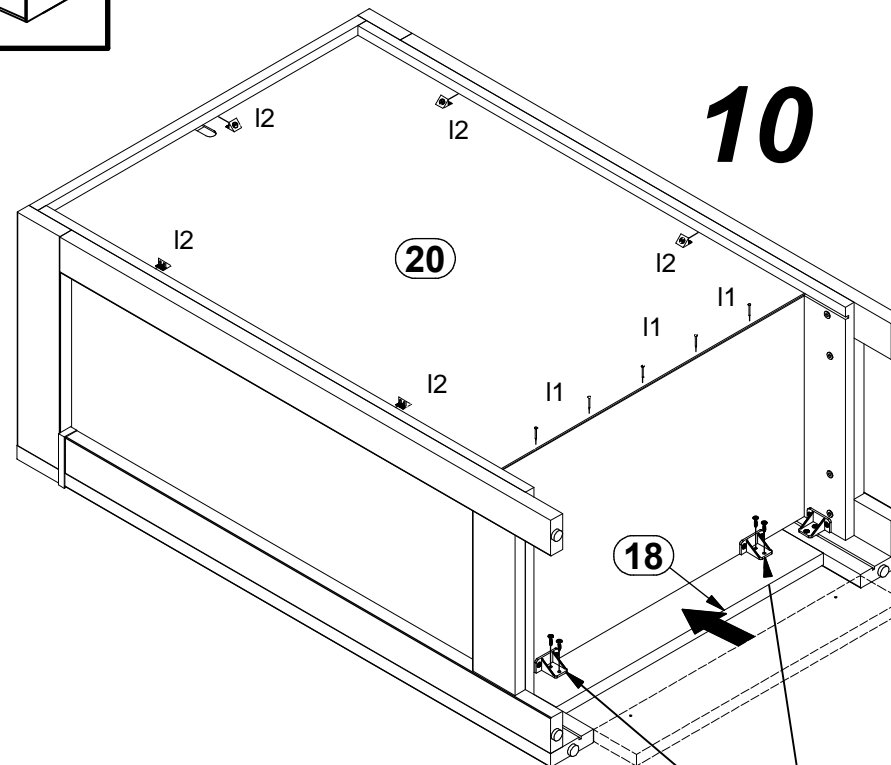
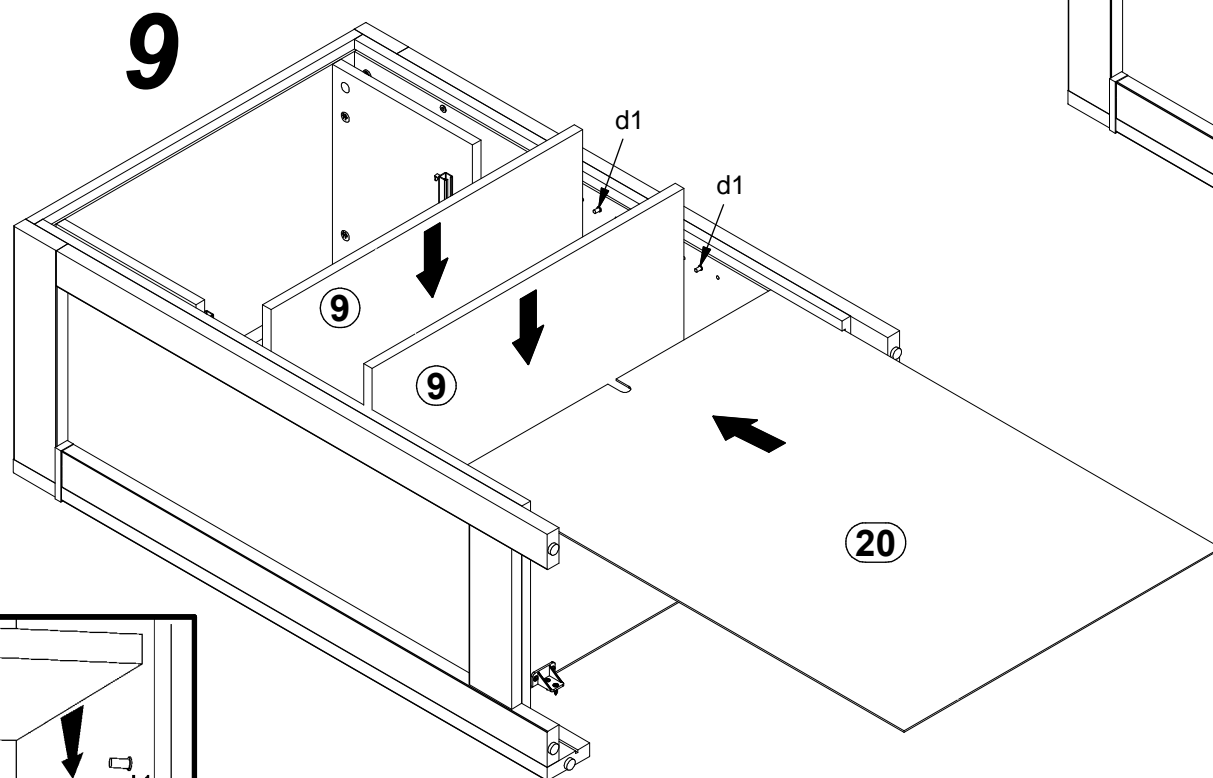
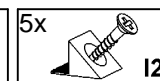
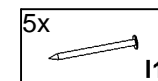
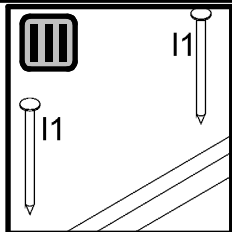
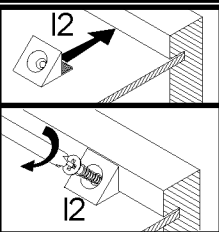
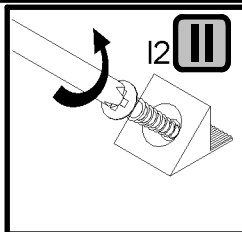
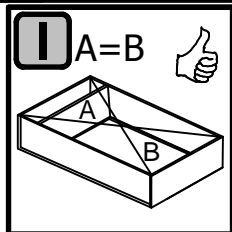
6



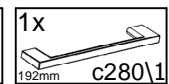
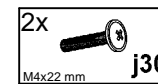
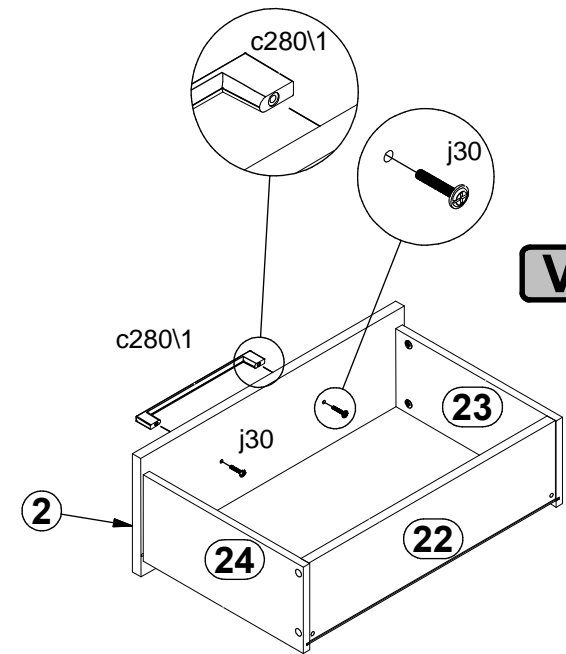
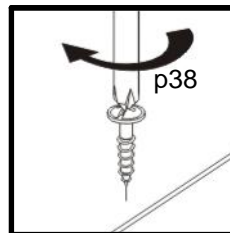
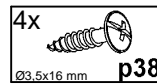
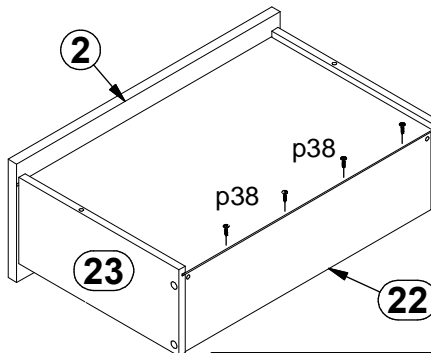
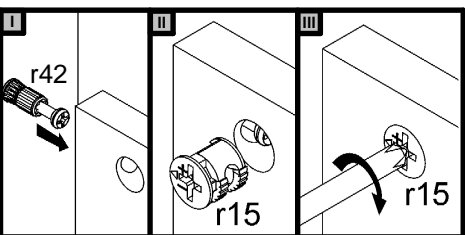
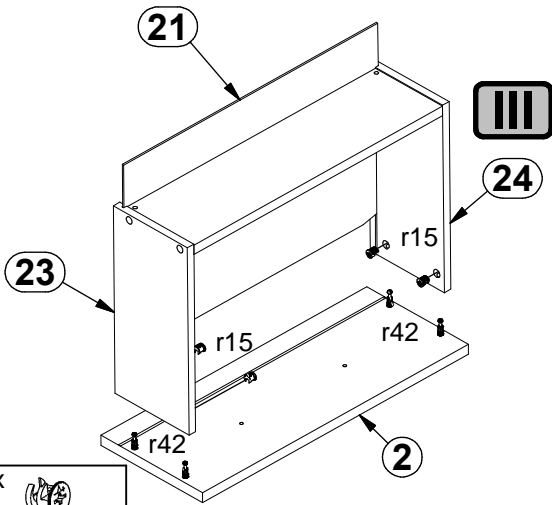
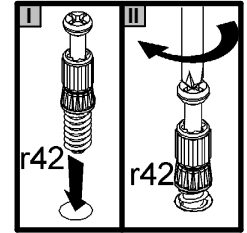
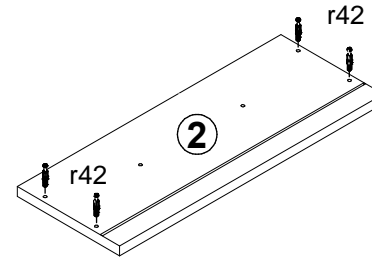
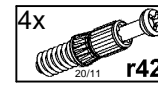
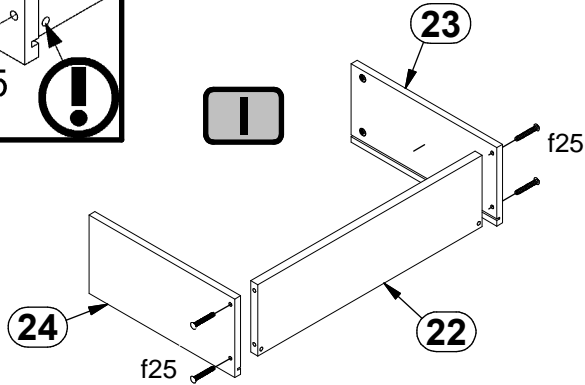
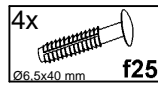
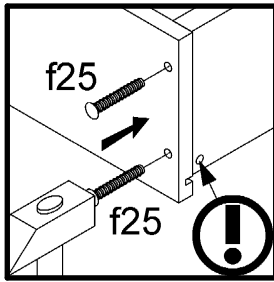


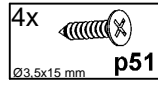
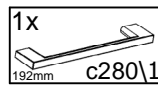
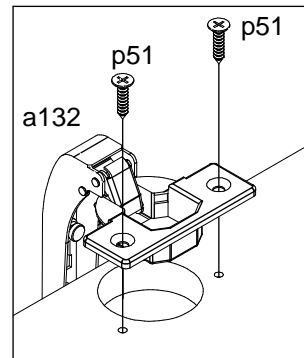
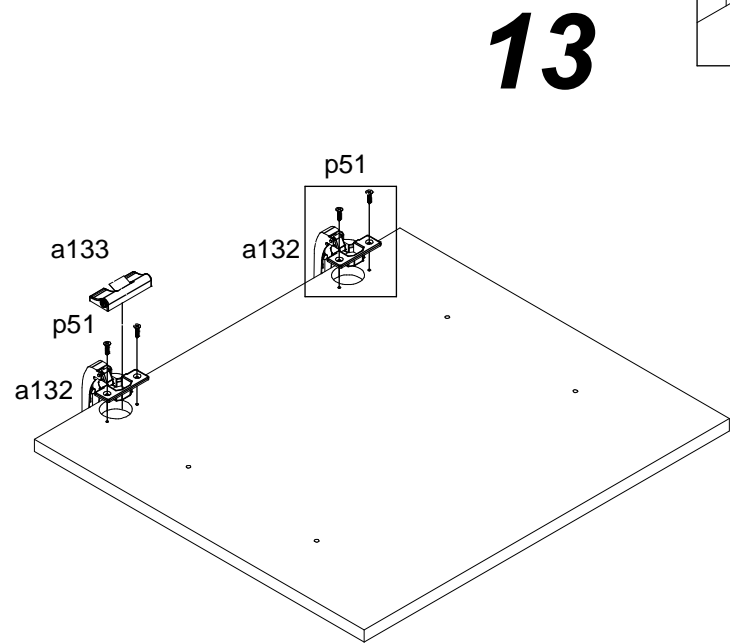
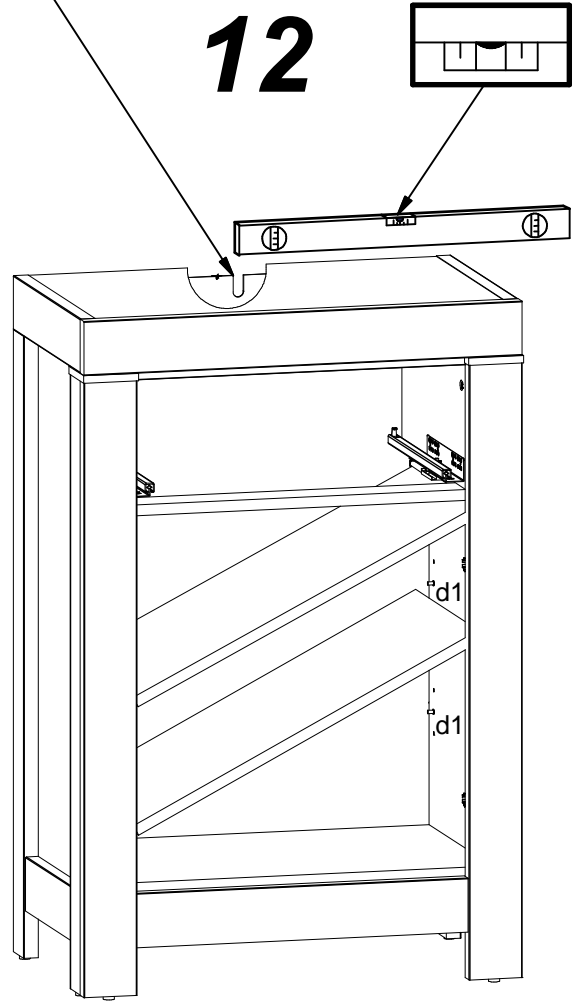
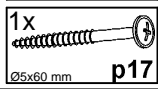
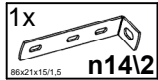
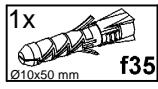
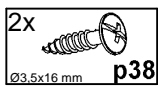
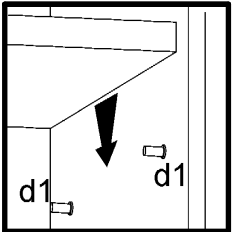
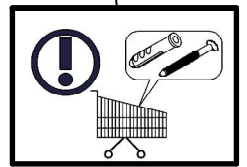
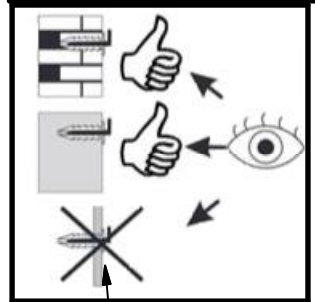
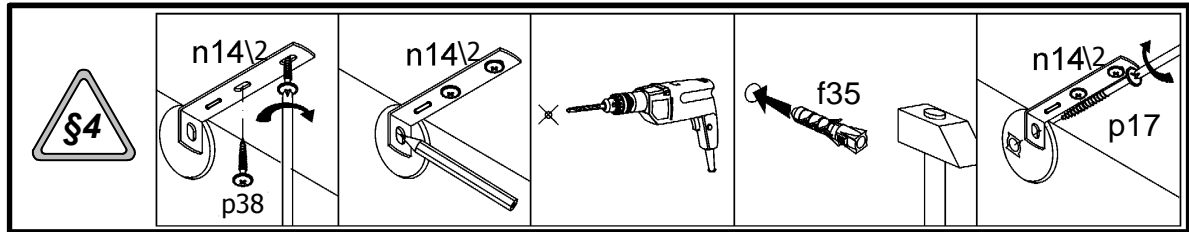
8

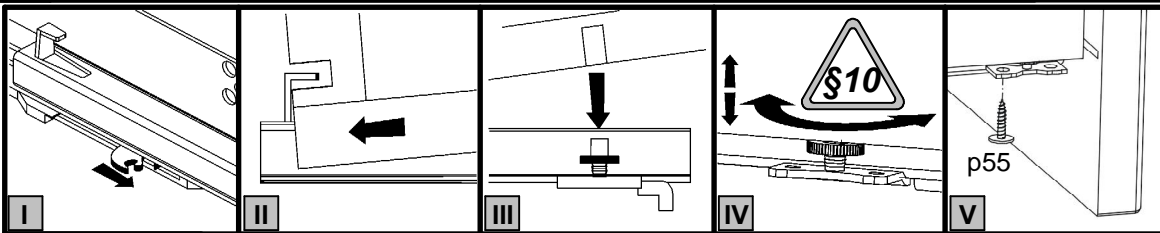




11







**14**

