

x4

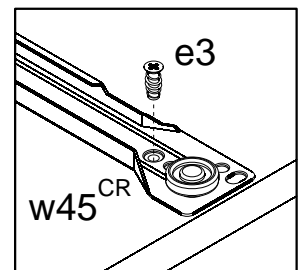
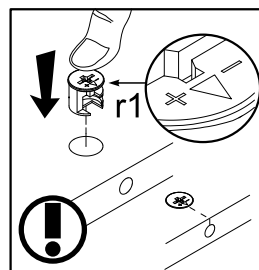
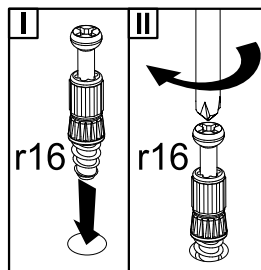
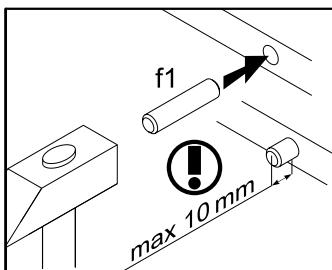
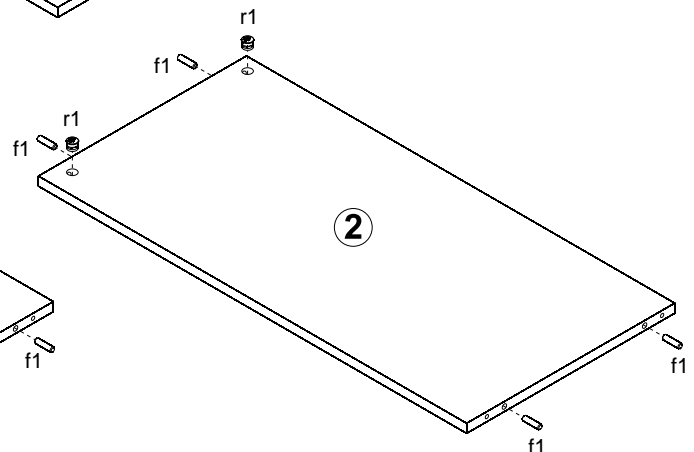
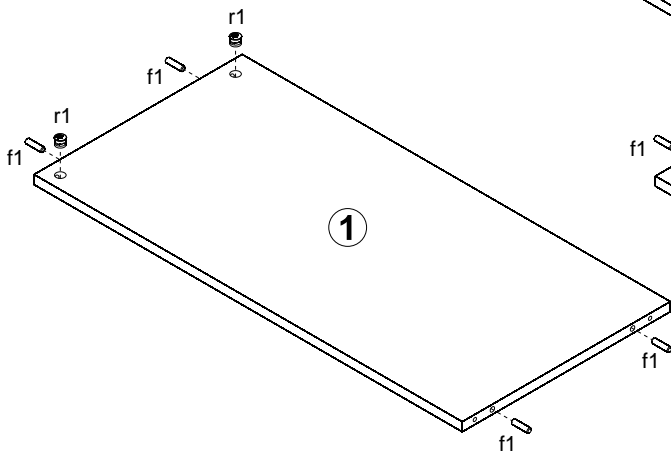
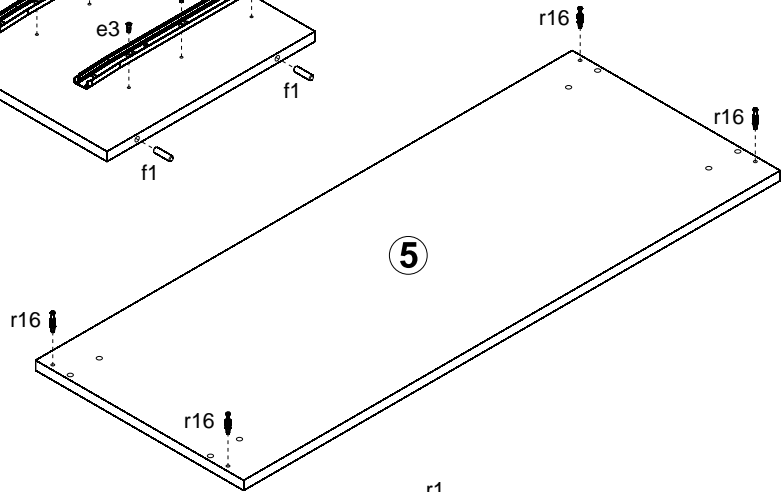
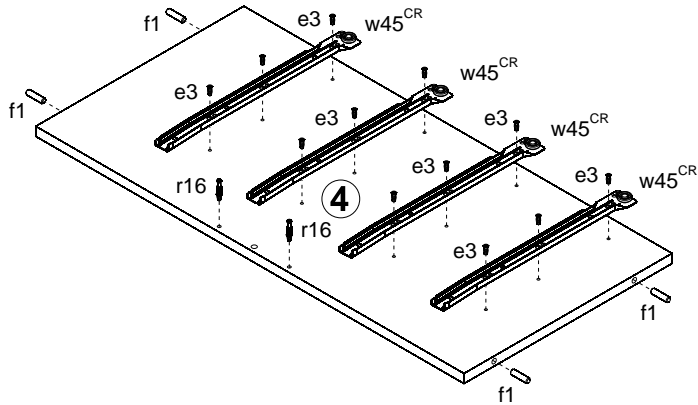
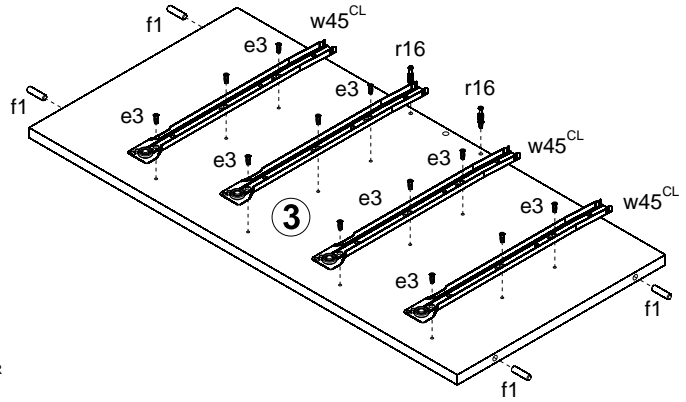
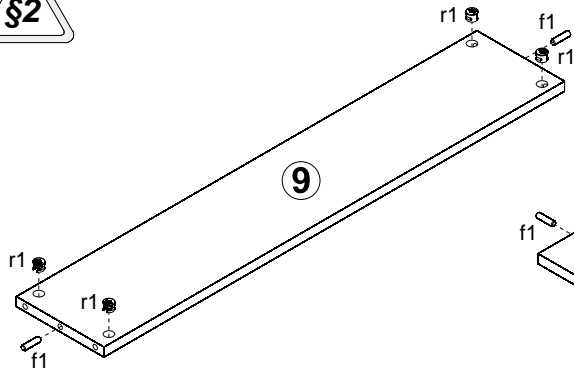
A	B	C		D
1	LK1-101	782	380	1/2
2	LK1-102	782	380	1/2
3	LK1-103	782	380	1/2
4	LK1-104	782	380	1/2
5	LK1-201	980	380	1/2
6	LK1-202	980	380	1/2
7	LK1-401	675	70	1/2
8	LK1-402	981	70	1/2

A	B	C		D
9	LK1-403	841	160	1/2
10	LK1-901	974	404	1/2
11	LK1-001	834	165	2/2
12	LK1-551	350	120	2/2
13	LK1-552	350	120	2/2
14	LK1-553	784	120	2/2
15	LK1-902	349	799	1/2

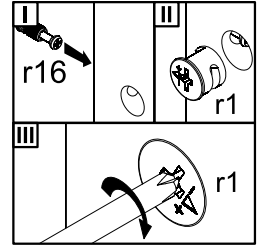
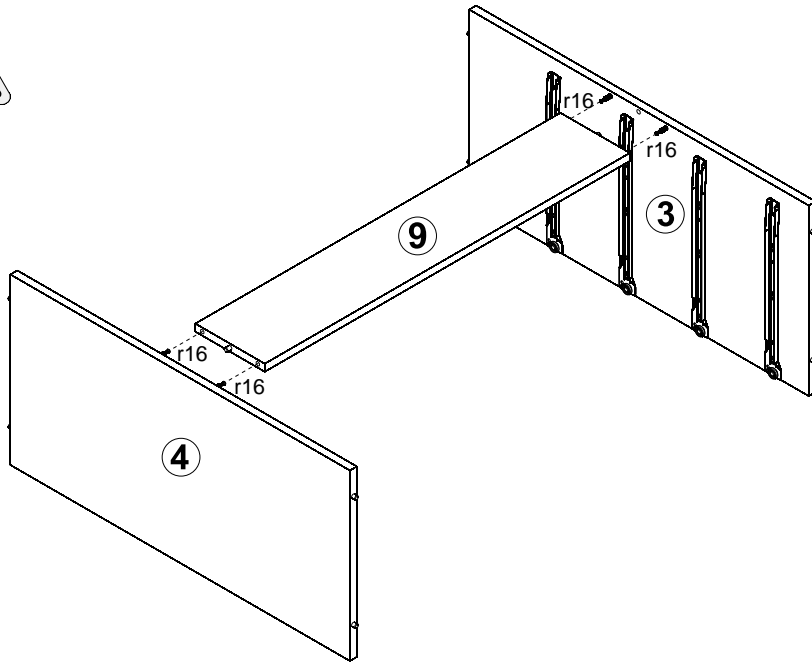


8x 96/128 mm c235	12x 30x34x25 d37	4x 7x50 mm e1	24x φ6x13 mm e3	16x φ5x50 mm e32	18x φ8x30 mm f1	8x φ50 mm f6	4x 48/19mm k27
40x l1	1x n26\1	16x 4x30 mm p9	8x 3,5x16 mm p25	55x φ3,5x16 mm p38	16x φ3x12 mm p54	24x φ15x12mm #16 r1	24x 20/9 r16
16x φ16 s2	4x 333 mm t19	4x 350 mm w45^{CR}	4x 350 mm w45^{CL}	4x 350 mm w45^{DL}	4x 350 mm w45^{DR}	1x z1	1x

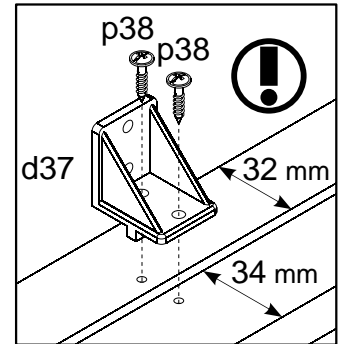
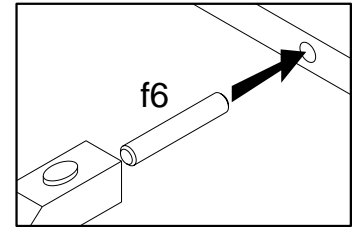
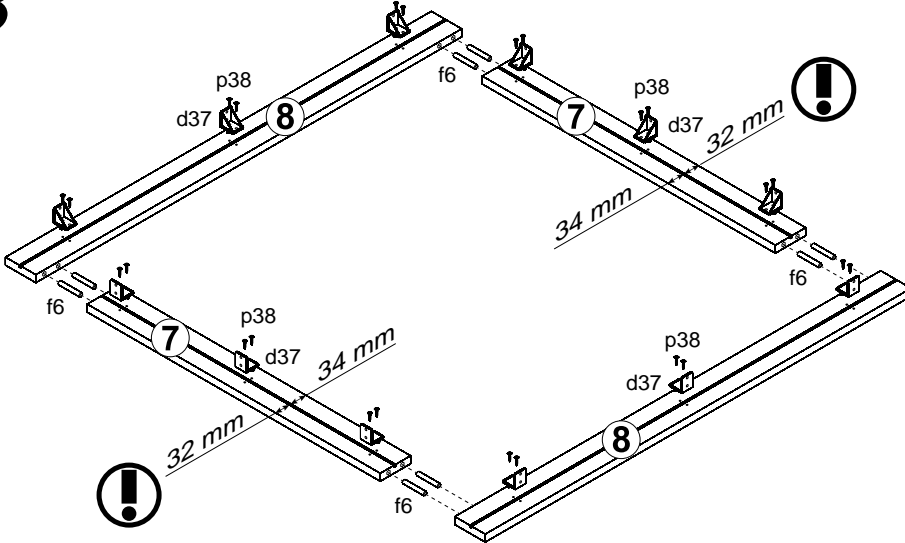
1 



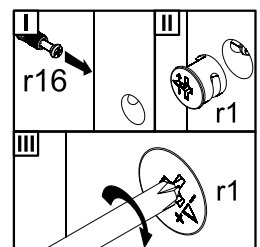
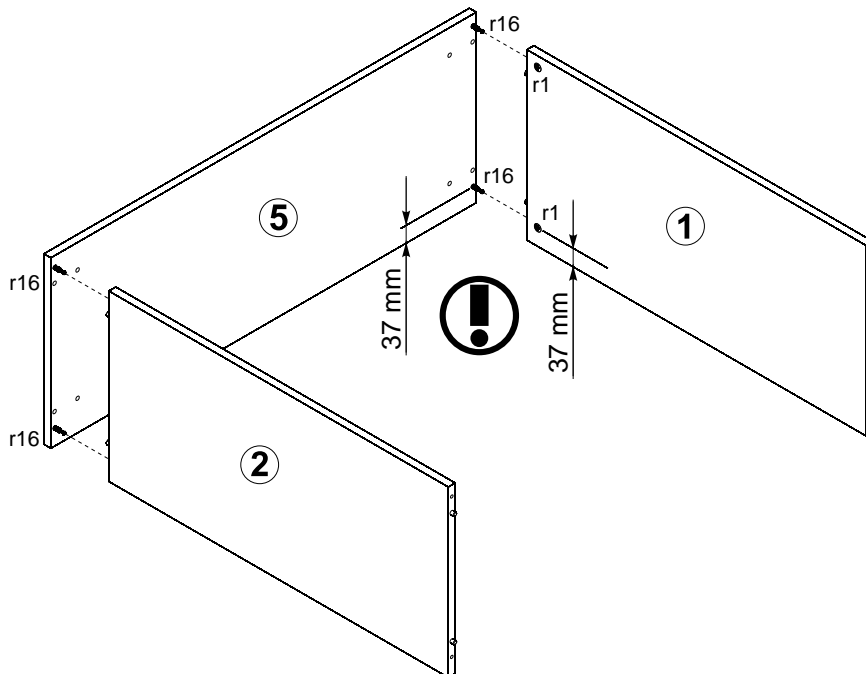
2



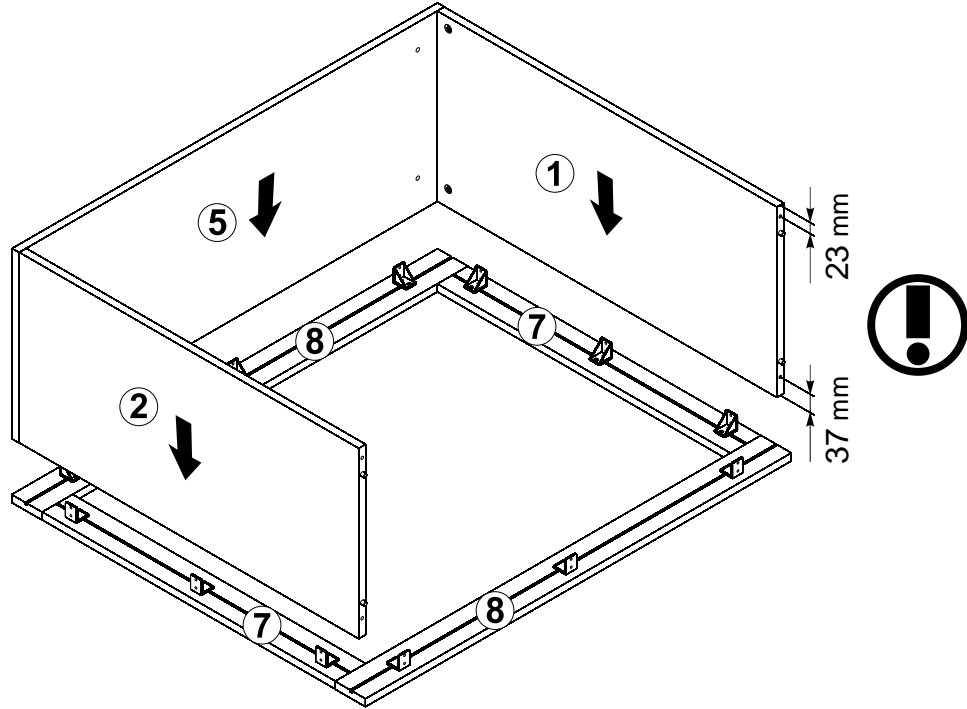
3



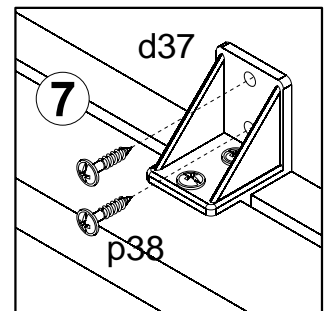
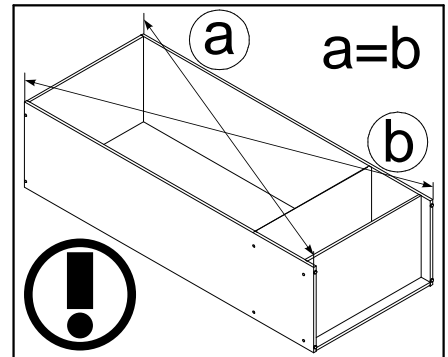
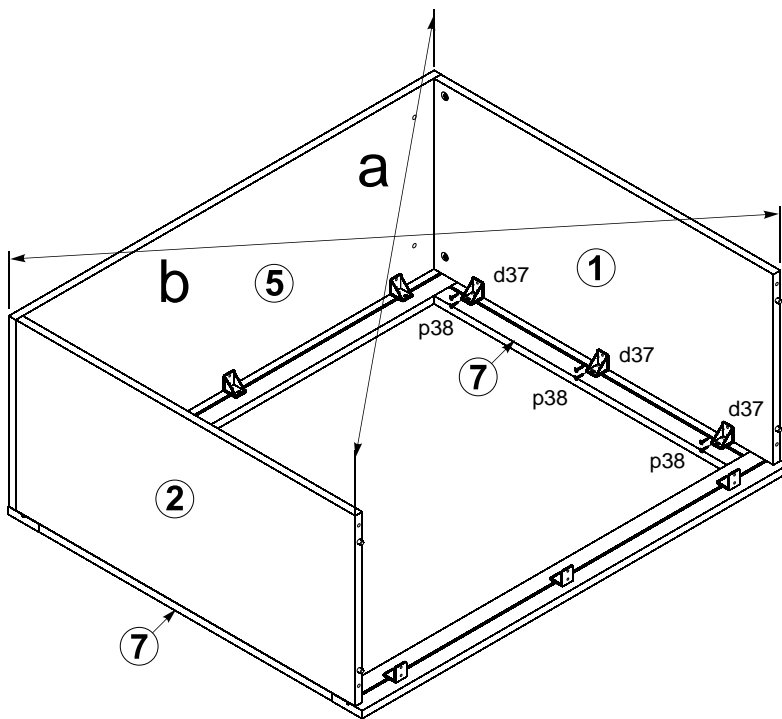
4



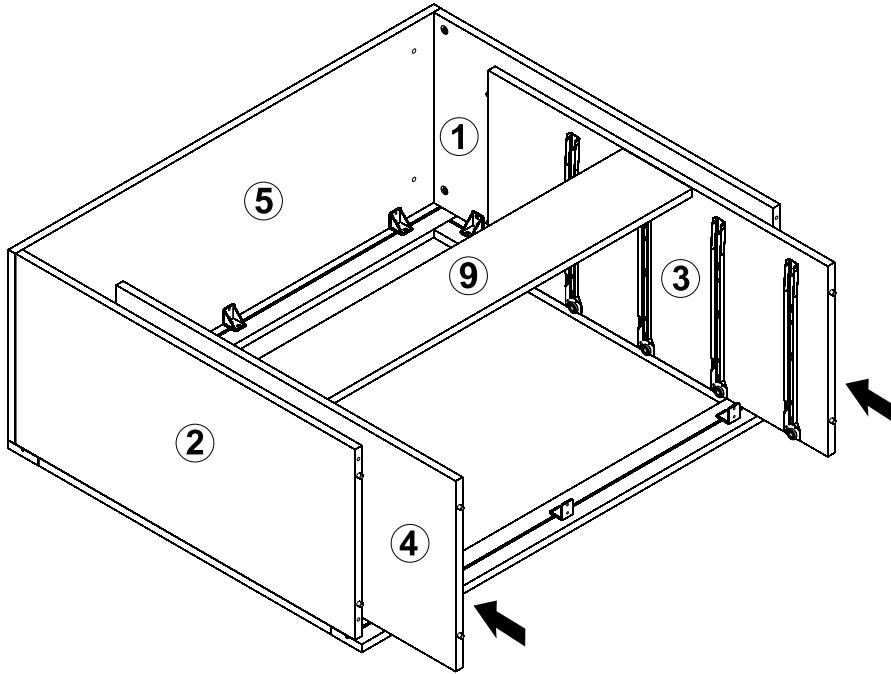
5



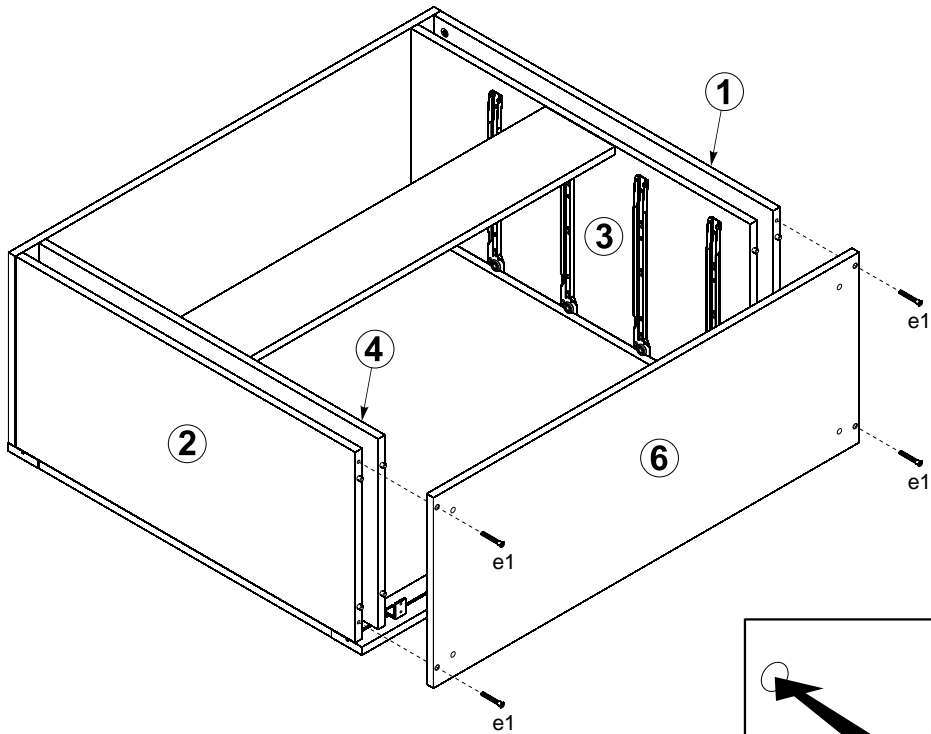
6



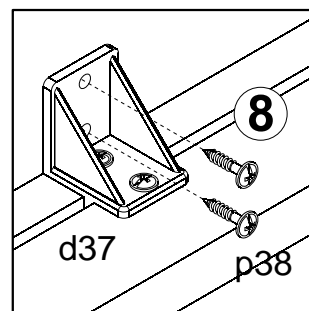
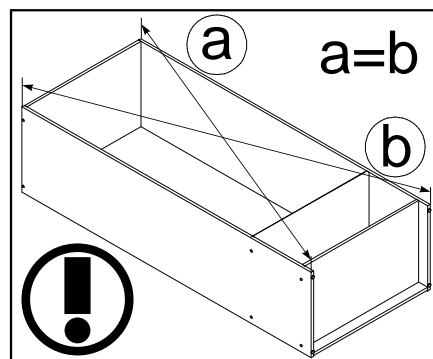
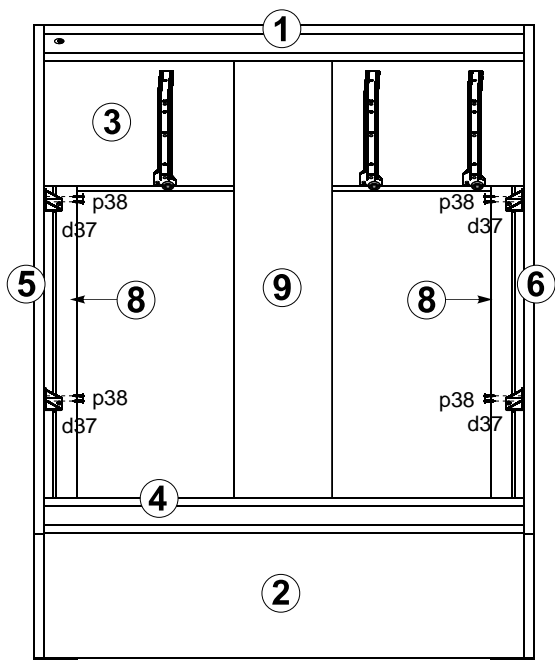
7



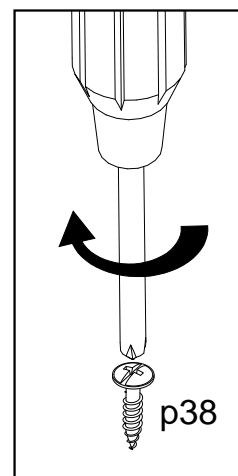
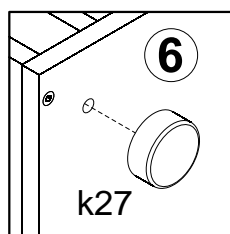
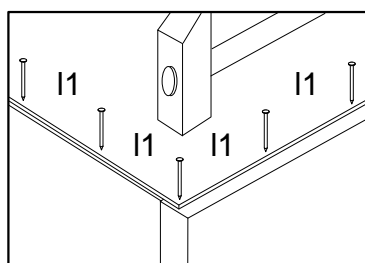
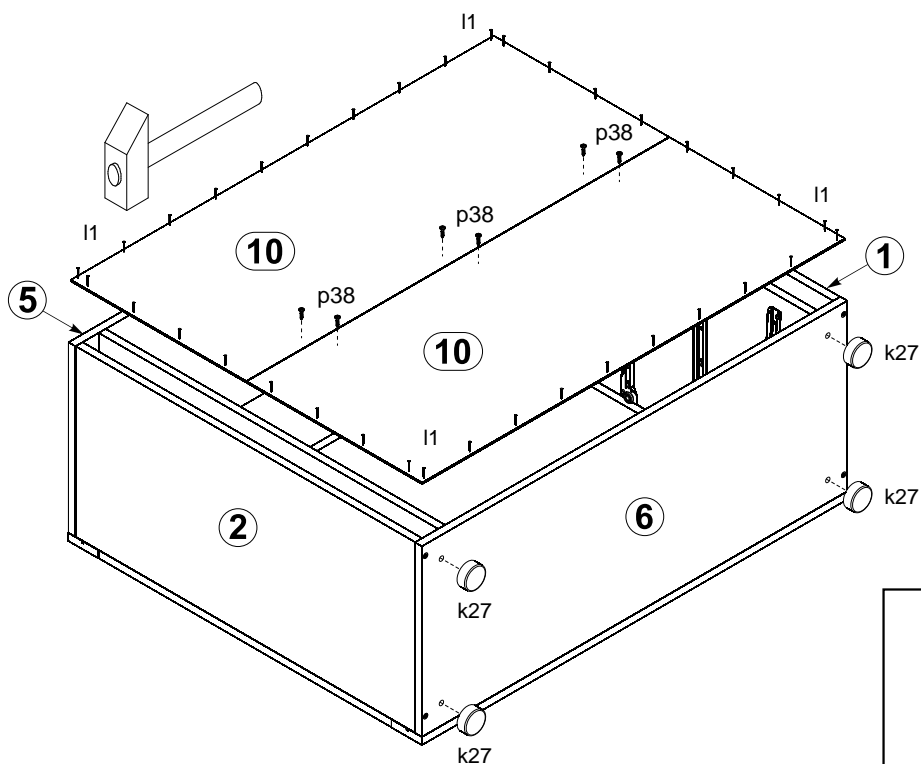
8



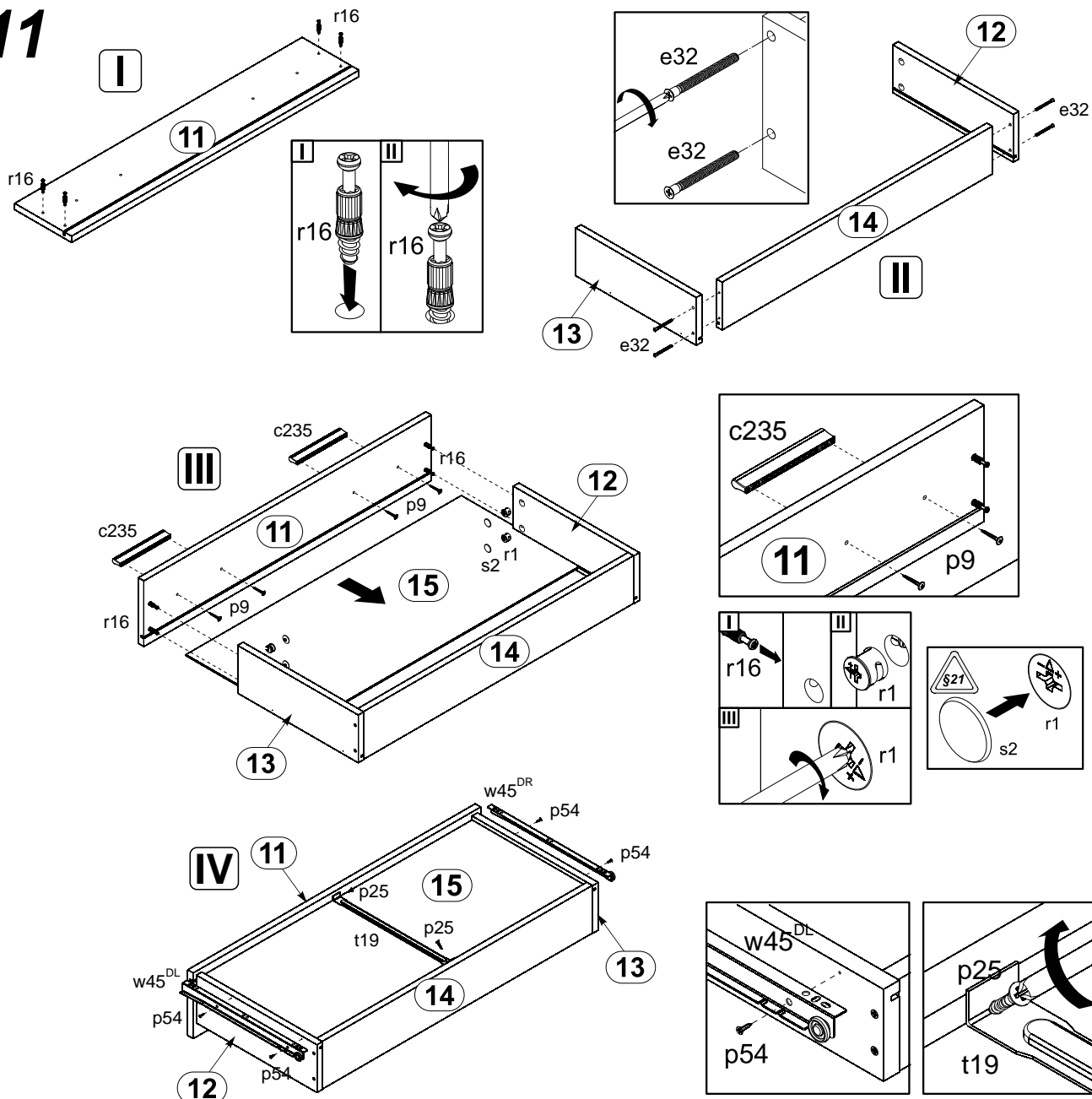
9



10



11



12

