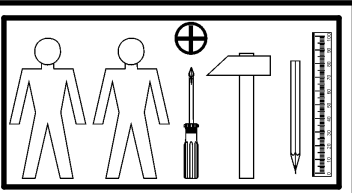
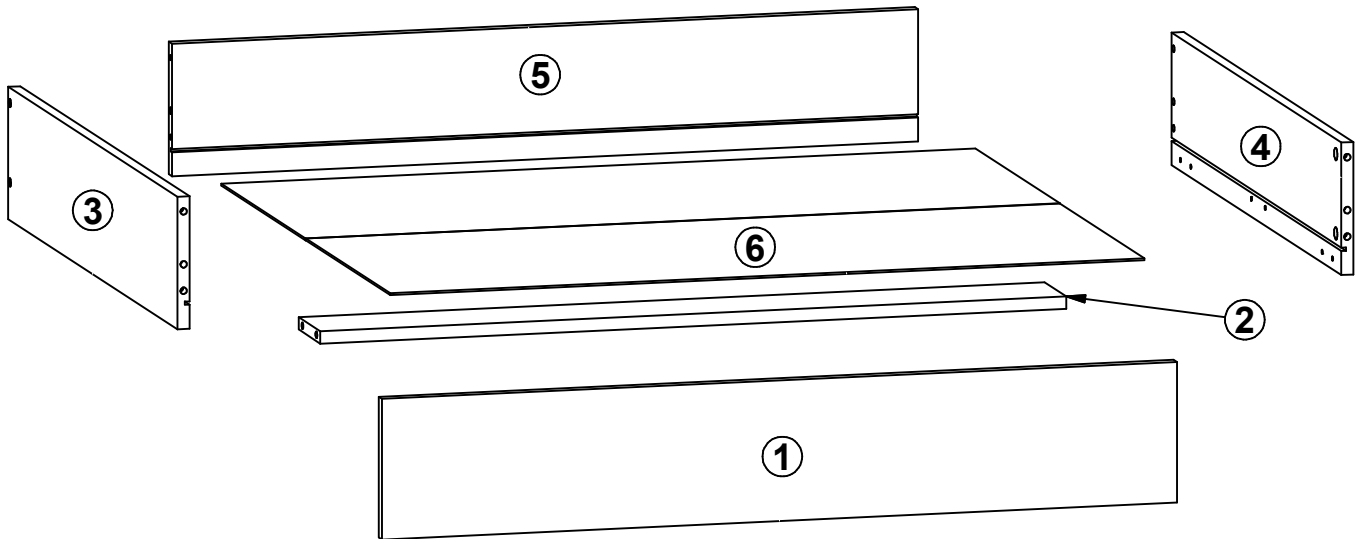
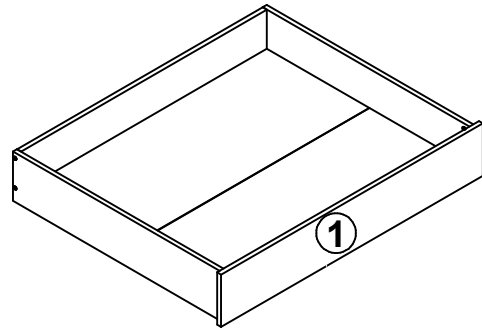
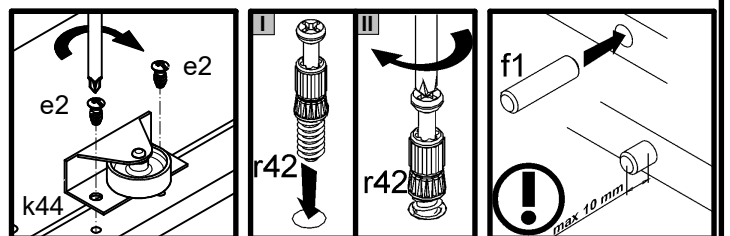
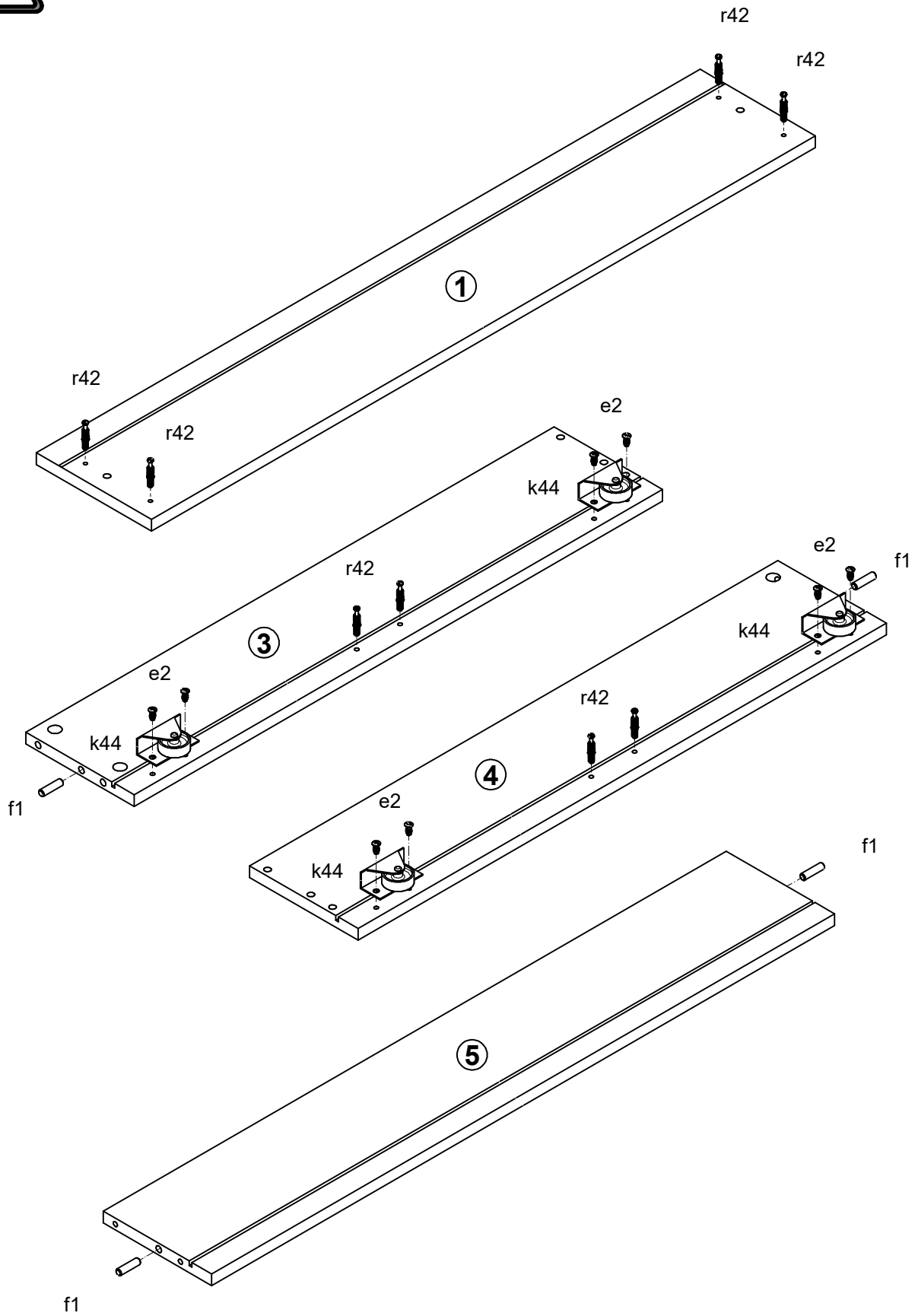


A	B	C	D
1	S399-0014	980	170
2	ZZ1-4001	920	100
3	ZZ1-5001	780	160
4	ZZ1-5002	780	160
5	ZZ1-5003	920	160
6	ZZ1-9301	930	777

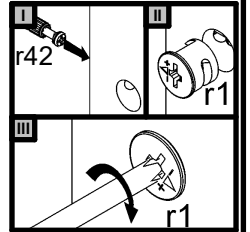
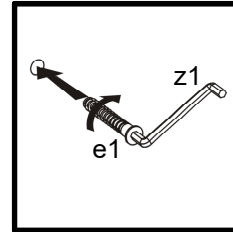
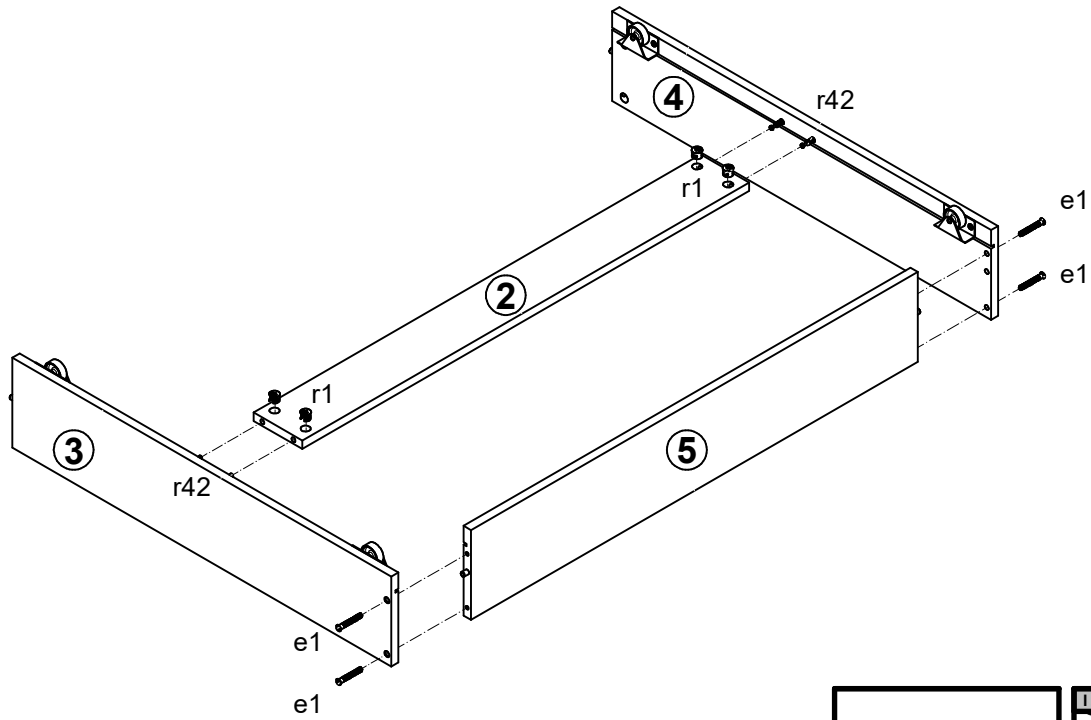


- 4x e1 $\varnothing 7 \times 50$ mm
- 8x e2 $\varnothing 6.3 \times 13$ mm
- 4x f1 $\varnothing 8 \times 30$ mm
- 4x k44 $\varnothing 35$ mm
- 10x l2
- 8x r1 $\varnothing 15 \times 12$ mm #16
- 8x r42 20/11
- 4x s1
- 4x s2 $\varnothing 16$
- 1x z1 4 mm

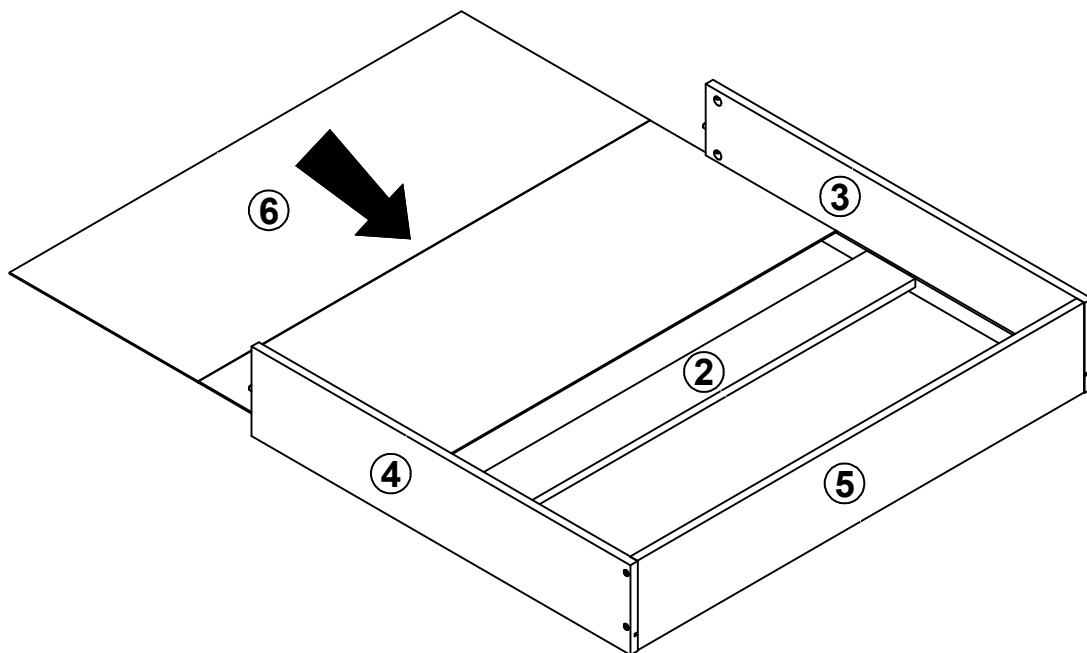
1 



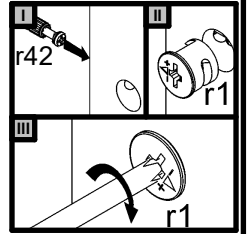
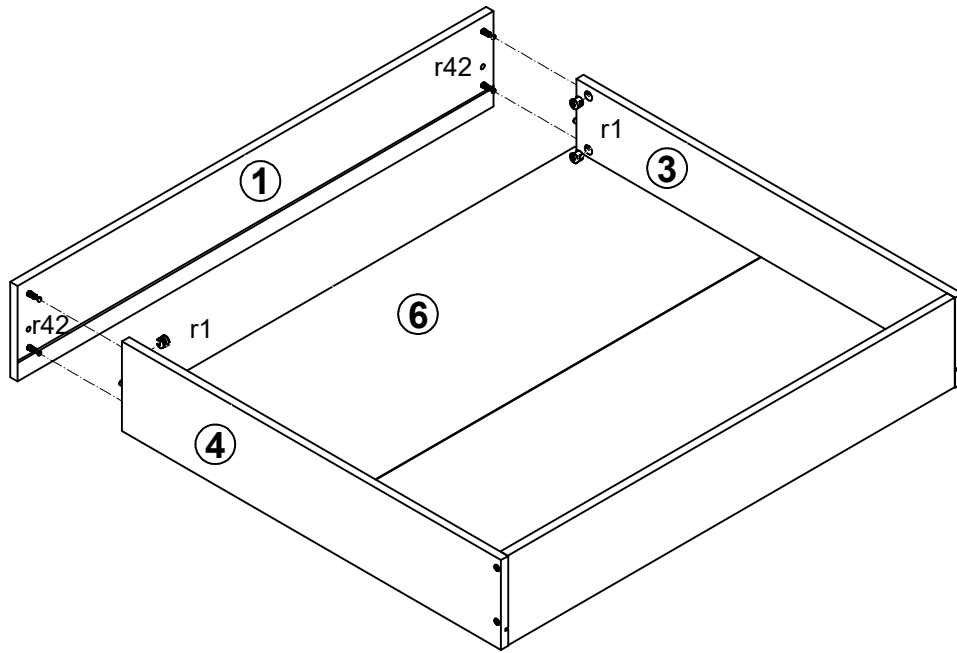
2



3



4



5

